



**MILESTONE**  
H E L P I N G  
C H E M I S T S



# MILESTONE

ACCESSORIES & CONSUMABLES

# CATALOGUE

[www.milestonesrl.com](http://www.milestonesrl.com)



Dear Milestone Customer,

Thank you for investing in our system, we are confident it will match your expectations and look forward to many years of successful cooperation with your Company. We are now pleased to share with you the Milestone Accessory and Consumables catalog. The catalog provides you an exhaustive explanation of all the main consumables and accessories available for your system.

This document also includes all the options available to further enhance the flexibility of your Milestone system. Additional info and even additional accessories can be found at: [www.milestonesrl.com/store](http://www.milestonesrl.com/store). Feel free to contact us or your local distributor in case of doubts or if you wish to receive additional information.

We are here to help you.

Available for

---

#### ► DIGESTION ROTORS

- **SK-6** | High Pressure Rotor (easyTEMP compatible) 4
- **SK-15** | High Pressure Rotor 9
- **SK-15** | High Pressure Rotor (easyTEMP compatible) 17
- **MAXI-14** | for ETHOS LEAN (easyTEMP compatible) 24
- **MAXI-14 HP** | for ETHOS LEAN (easyTEMP compatible) 28
- **MAXI-24 HP** | High Performance Rotor (easyTEMP compatible) 32
- **MAXI-44** | High Throughput Rotor (easyTEMP compatible) 37

#### ► DIGESTION RACKS AND VIALS

- **4/5/8/15/19/22/26 Position Racks** | for ultraWAVE 1, 2 and 2 eco 42
- **7/20/27/40 Positions Racks** | for ultraWAVE 3 79

#### ► EXTRACTION ROTORS

- **SR-15** | Extraction Rotor (easyTEMP compatible) 97
- **fastEX-24eT** | High Throughput Extraction Rotor 102

#### ► FILTRATION

- **SFS-24** | Simultaneous Filtration System 108

▶ <b>MERCURY ANALYSIS</b>	
• <b>DMA</b>   Accessories & Consumables	113
▶ <b>AUTOMATED DOSING</b>	
• <b>easyFILL</b>   Automated Dosing Station	117
▶ <b>ASHING</b>	
• <b>PYRO</b>   Accessories & Consumables	128

# SK-6 High Pressure Rotor

easyTEMP compatible

The SK-6 rotor is only available for the ETHOS systems. The SK-6 is a high-pressure rotor featuring up to 6 TFM vessels with a volume of 100 mL and suitable for all applications. It is fully compliant with commonly used standard methods, such as the US EPA 3015, 3051, and 3052. The SK-6 features an enhanced 'vent-and-reseal' technology for controlling the inner pressure of all vessels with complete safety.

## | SAMPLE TYPE



Officials



Agriculture



Beverage



Cannabis



Ceramics



Chemicals



Clinicals



Consumer Products



Environmental



Food & Feed



Metals & Mining



Petrochemicals



Pharmaceuticals



Pigments



Polymers

## | SAMPLE AMOUNT



Small



Medium



Large



Extra Large

## | SAMPLE THROUGHPUT



6 positions



10 positions



12 positions



15 positions



16 positions



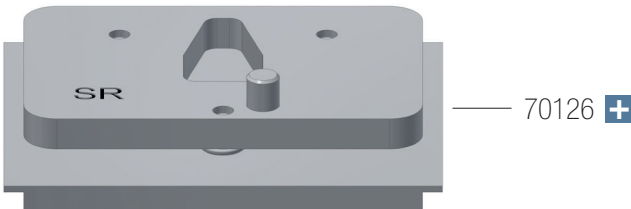
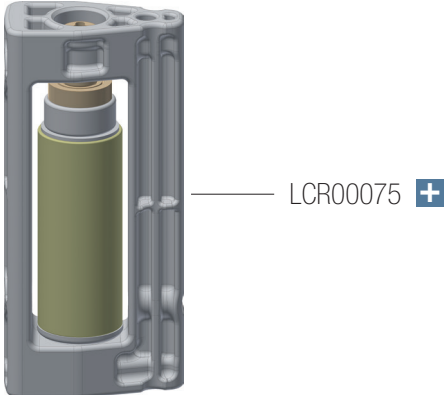
24 positions



44 positions

# SK-6ET

Starter kit 6 segments high pressure rotor complete



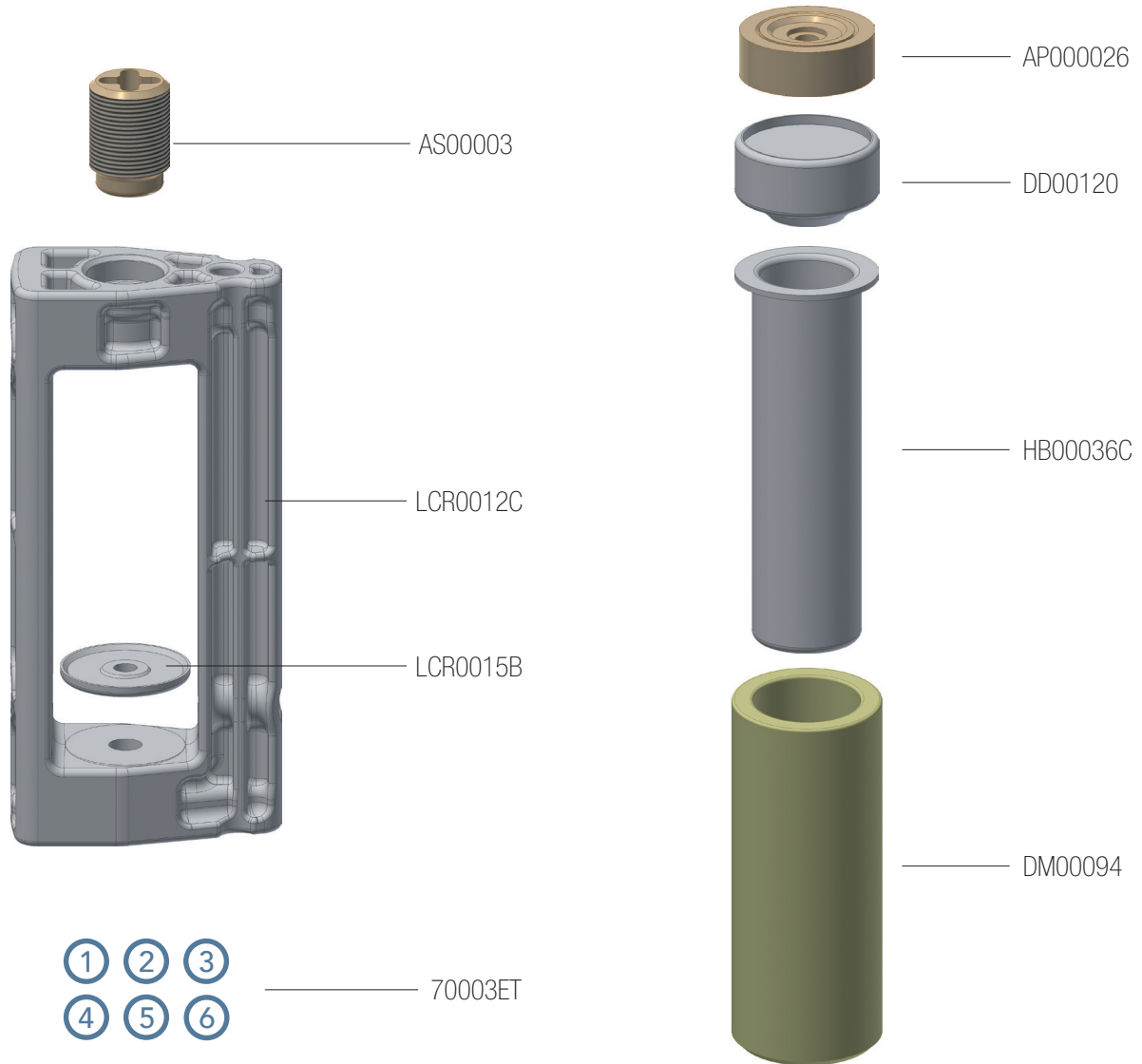
P/N	Description
LCR00075 +	Segment complete for SK-6ET rotor
SRI60100	Rotor body SK-6ET <i>(no picture)</i>
70125B	Tension Wrench adjusted at 10 Nm, adapter included
70126 +	Workstation complete for SK-6ET

+ Include subparts

# SK-6ET

## LCR00075

Segment complete for SK-6ET rotor

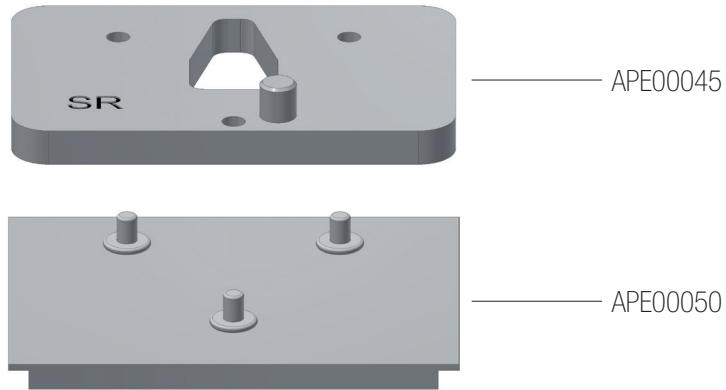


P/N	Description
AS00003	Pressure screw M26X37
LCR0012C	Segment SK-6ET
LCR0015B	Centering plate ITC 55/10x10 mm
70003ET	Label SK-6ET vessels
AP000026	Adapter plate with built-in safety releasing fluoropolymer spring
DD00120	TFM Cover
HB00036C	High pressure vessel for EasyTEMP control
DM00094	Safety shield for high pressure vessel

# SK-6ET

70126

Workstation complete for SK-6ET



P/N	Description
APE00045	Workstation for SK-6ET rotor, upper part
APE00050	Workstation for SK-6ET rotor, bottom part

# SK-6ET

## OPTIONS



P/N	Description
PR00001	Indicator ring for SK-6ET vessel
DD00172	TFM cover with pressure port
PH00071	Sample rack 15 positions

# SK-15 High Pressure Rotor

The SK-15 rotor is only available for the ETHOS systems. The SK-15 is a high-pressure rotor featuring up to 15 TFM vessels with a volume of 100 mL and suitable for all applications. It is fully compliant with commonly used standard methods, such as the US EPA 3015, 3051, and 3052. The SK-15 features an enhanced 'vent-and-reseal' technology for controlling the inner pressure of all vessels with complete safety.

## | SAMPLE TYPE



Officials



Agriculture



Beverage



Cannabis



Ceramics



Chemicals



Clinicals



Consumer Products



Environmental



Food & Feed



Metals & Mining



Petrochemicals



Pharmaceuticals



Pigments



Polymers

## | SAMPLE AMOUNT



Small



Medium



Large



Extra Large

## | SAMPLE THROUGHPUT



6 positions



10 positions



12 positions



15 positions



16 positions

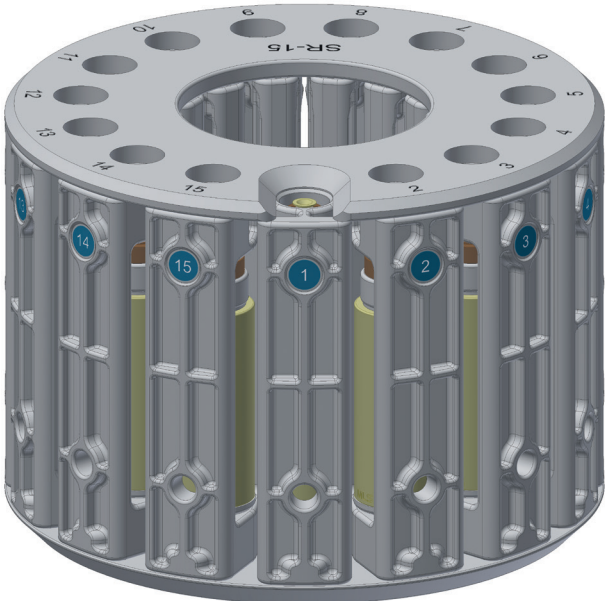


24 positions



44 positions

# SK-15 High Pressure Rotor



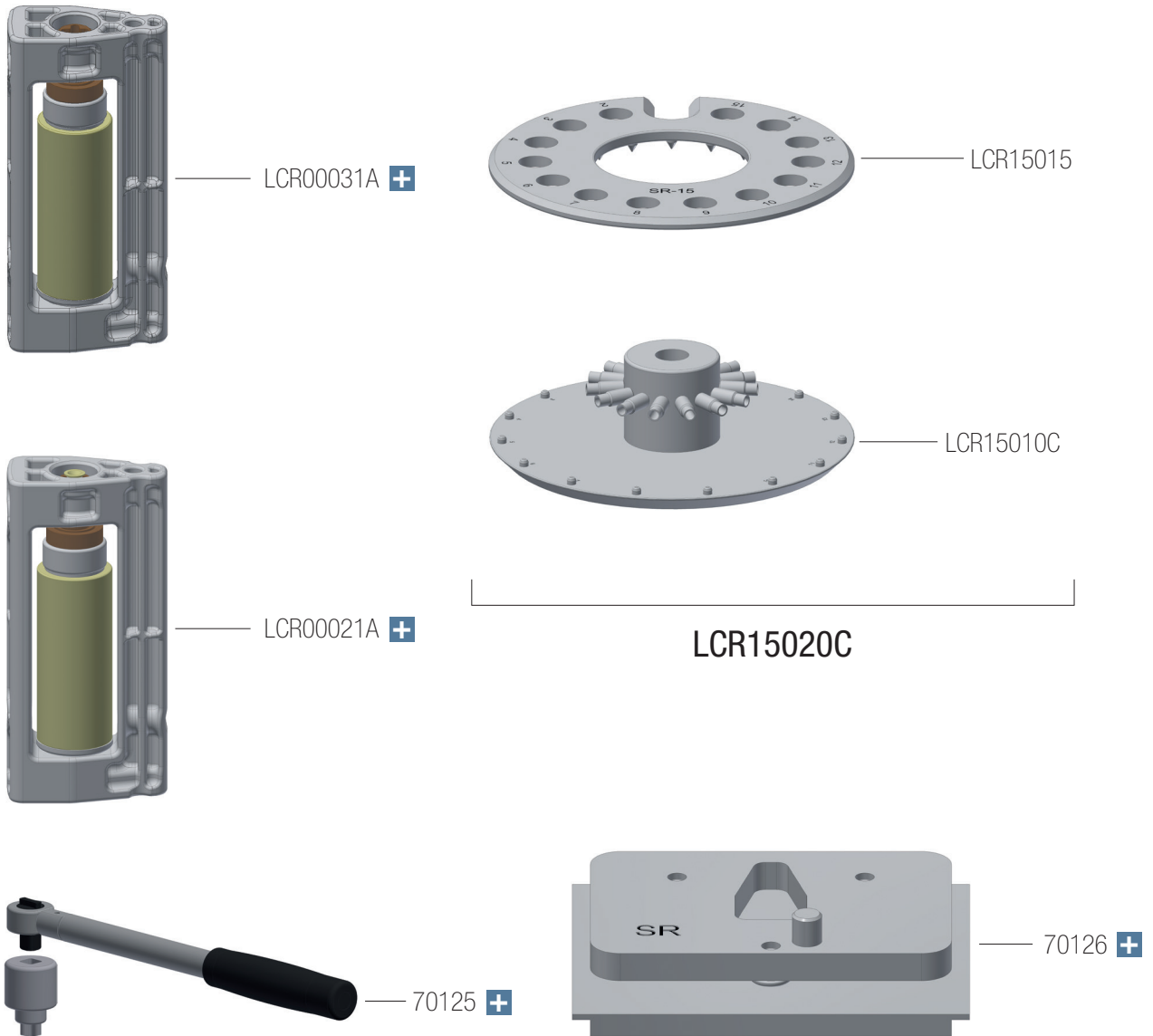
SK15-A +

P/N	Description
SK15-A +	Starter kit 15 segments high pressure rotor complete

+ *Include subparts*

# SK15-A

Starter kit 15 segments high pressure rotor complete

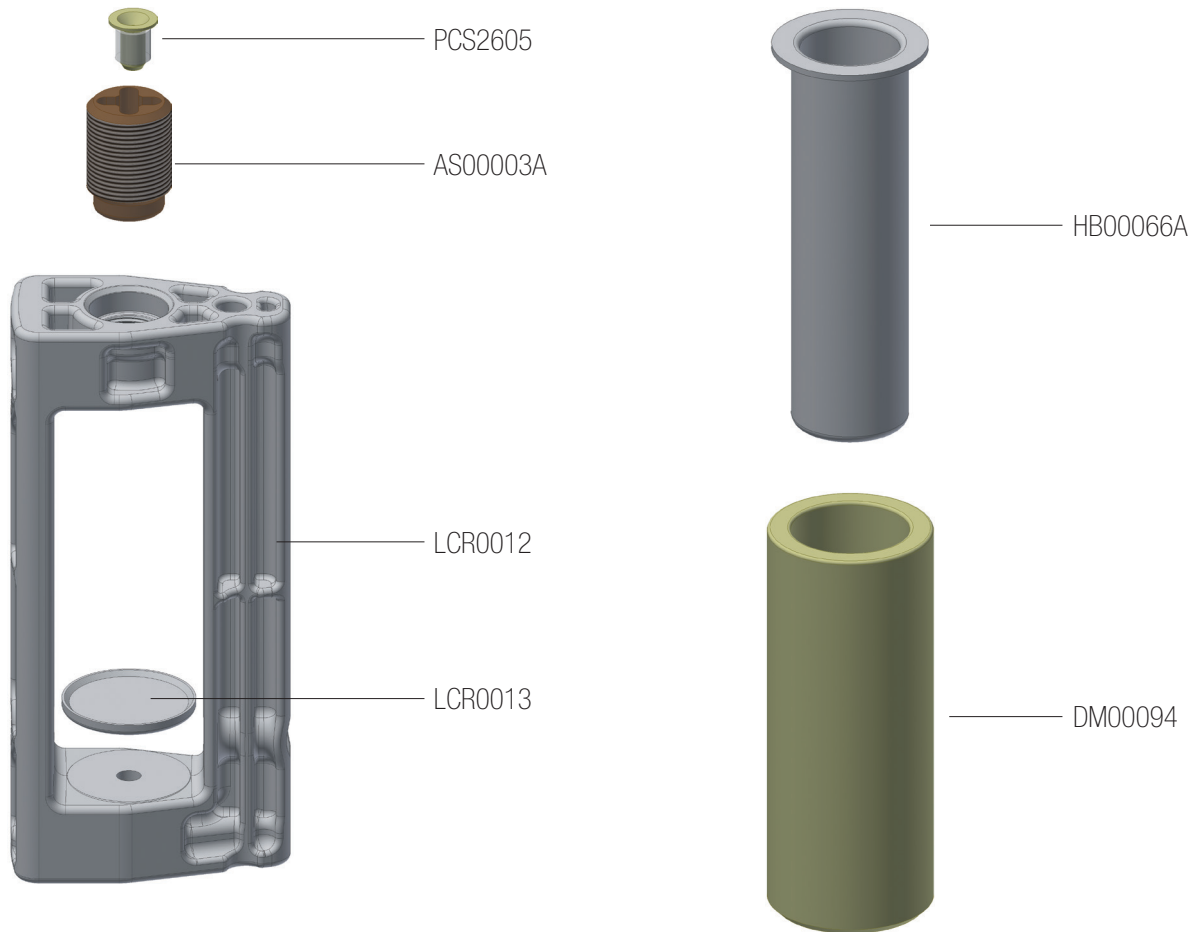


P/N	Description
LCR00021A +	ATC Reference Segment complete with ATC thermowell and installation tool
LCR00031A +	Standard segment complete
LCR15020C	Rotor body SK-15
LCR15015	SK-15 top plate
LCR15010C	SK-15 bottom plate
70125 +	Tension Wrench adjusted at 10 Nm, adapter included
70126 +	Workstation complete for SK-15

# SK15-A

## LCR00021A

ATC Reference Segment complete with ATC thermowell and installation tool

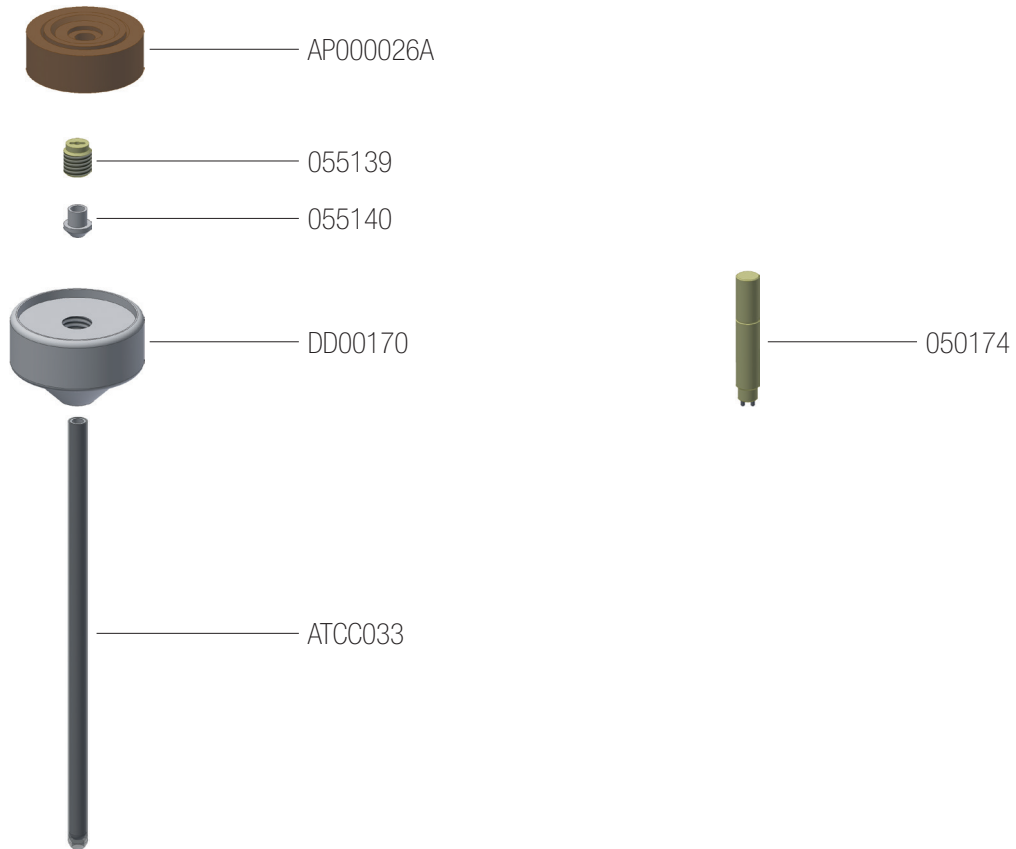


P/N	Description
PCS2605	Ring adapter
AS00003A	Pressure screw M26X37 for ATC
LCR0012	Segment SK-15
LCR0013	Centering plate PTFE 54/48x10 mm for P/N DM00094
HB00066A	High pressure vessel 100ml
DM00094	Safety shield for high pressure vessel

# SK15-A

## LCR00021A (continued)

ATC Reference Segment complete with ATC thermowell and installation tool

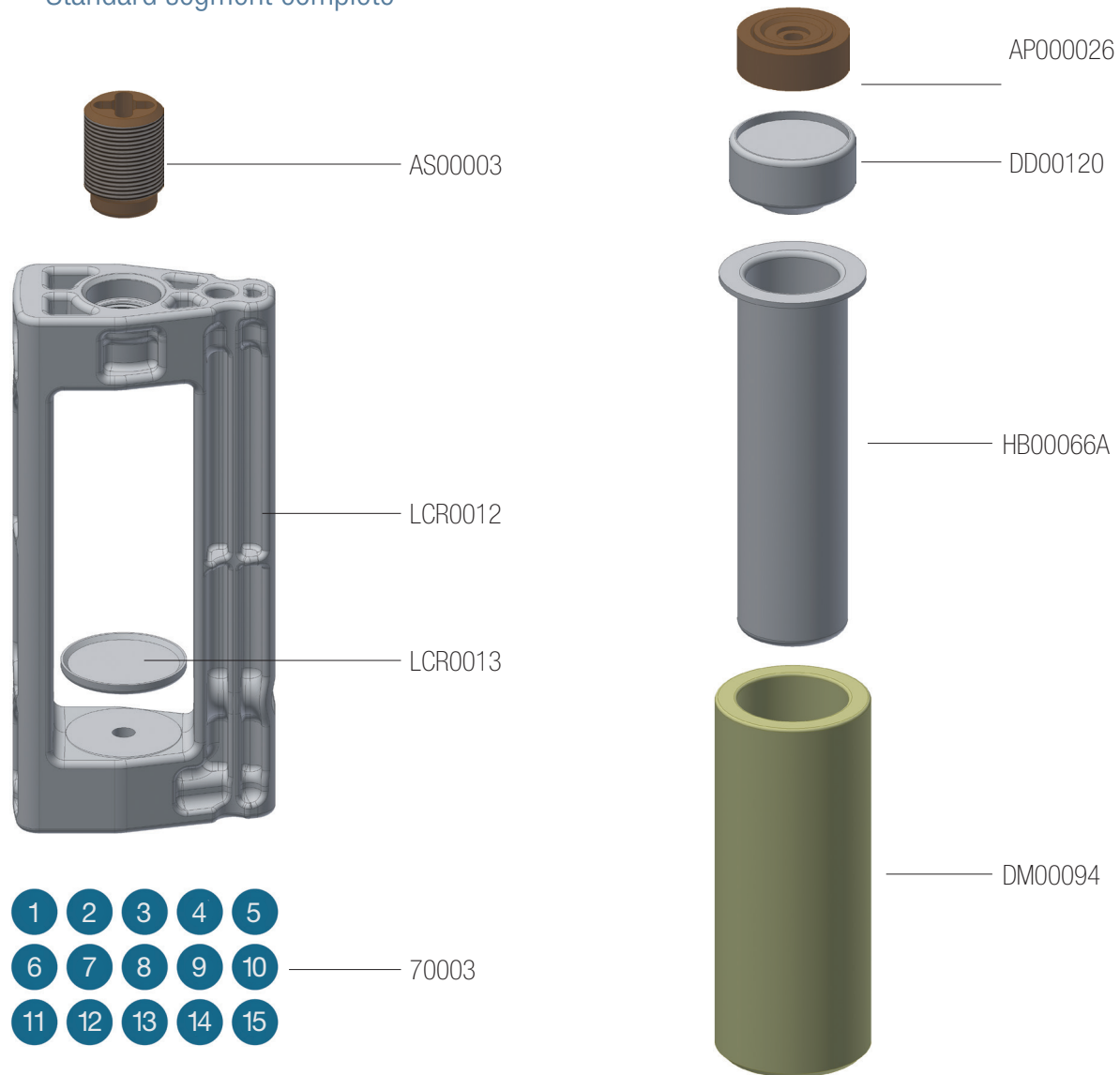


P/N	Description
AP000026A	Adapter plate for ATC with built-in safety releasing fluoropolymer spring
055139	ATC Sealing Screw
055140	ATC Sealing (included in P/N ATCC033)
DD00170	TFM Cover for ATC
ATCC033	Ceramic thermowell PTFE coated (Including P/N 055140)
050174	ATC Tool for spanning ceramic pipe sealing

# SK15-A

## LCR00031A

Standard segment complete

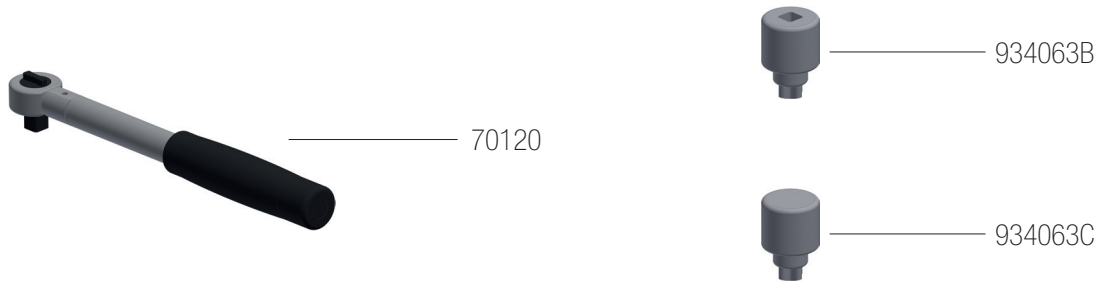


P/N	Description
AS00003	Pressure screw M26X37
LCR0012	Segment SK-15
LCR0013	Centering plate PTFE 54/48x10 mm for P/N DM00094
70003	Label SK15 vessels
AP000026	Adapter plate with built-in safety releasing fluoropolymer spring
DD00120	TFM Cover
HB00066A	High pressure vessel 100ml
DM00094	Safety shield for high pressure vessel

## SK15-A

### 70125

Tension Wrench adjusted at 10 Nm, adapter included

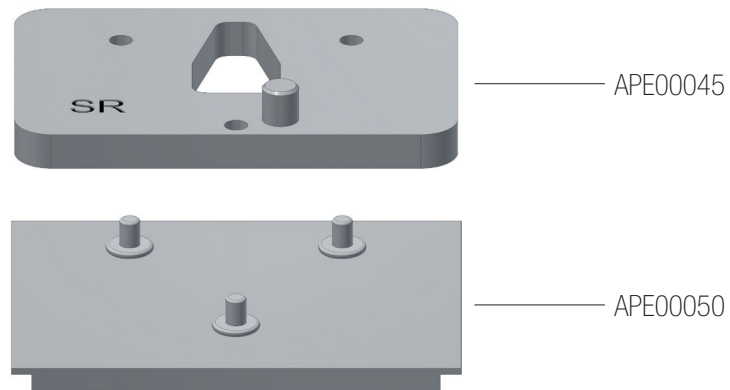


P/N	Description
70120	Torque wrench adjusted at 10 Nm
934063B	Adapter for torque wrench
934063C	Manual tool for vessel closing

## SK15-A

### 70126

Workstation complete for SK-15



P/N	Description
APE00045	Workstation for SK-15 rotor, upper part
APE00050	Workstation for SK-15 rotor, bottom part

**SK15-A** **OPTIONS**



P/N	Description
PR00001	Indicator ring for SK15ET vessel
DD00178	ATC cover complete with pressure port
PH00071	Sample rack 15 positions

# SK-15 High Pressure Rotor

easyTEMP compatible

The SK-15 rotor is only available for the ETHOS systems. The SK-15 is a high-pressure rotor featuring up to 15 TFM vessels with a volume of 100 mL and suitable for all applications. It is fully compliant with commonly used standard methods, such as the US EPA 3015, 3051, and 3052. The SK-15 features an enhanced 'vent-and-reseal' technology for controlling the inner pressure of all vessels with complete safety.

## | SAMPLE TYPE



Officials



Agriculture



Beverage



Cannabis



Ceramics



Chemicals



Clinicals



Consumer Products



Environmental



Food & Feed



Metals & Mining



Petrochemicals



Pharmaceuticals



Pigments



Polymers

## | SAMPLE AMOUNT



Small



Medium



Large



Extra Large

## | SAMPLE THROUGHPUT



6 positions



10 positions



12 positions



15 positions



16 positions

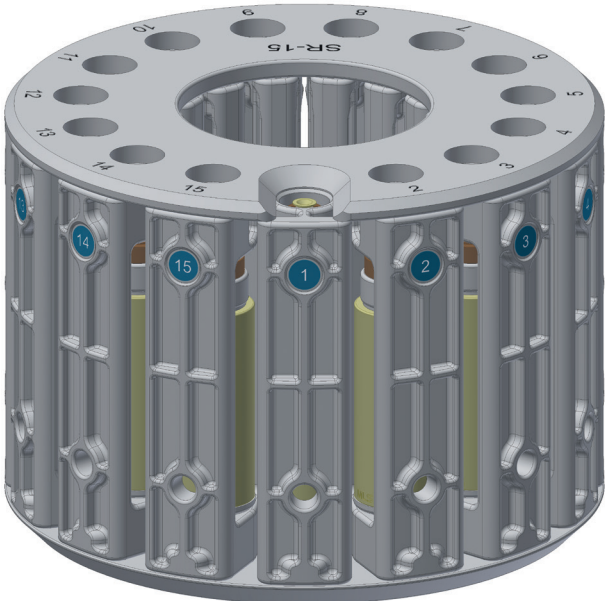



24 positions




44 positions

# SK-15 High Pressure Rotor (easyTEMP compatible)



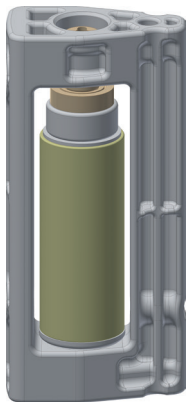
SK15-ET 

P/N	Description
SK-15ET 	Starter kit 15 segments high pressure rotor complete for easyTEMP

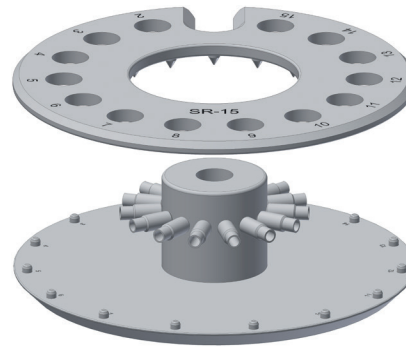
 *Include subparts*

# SK-15ET

Starter kit 15 segments high pressure rotor complete



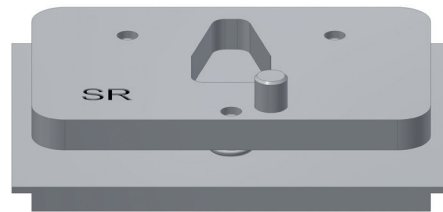
LCR00075 +



LCR15030D



70125



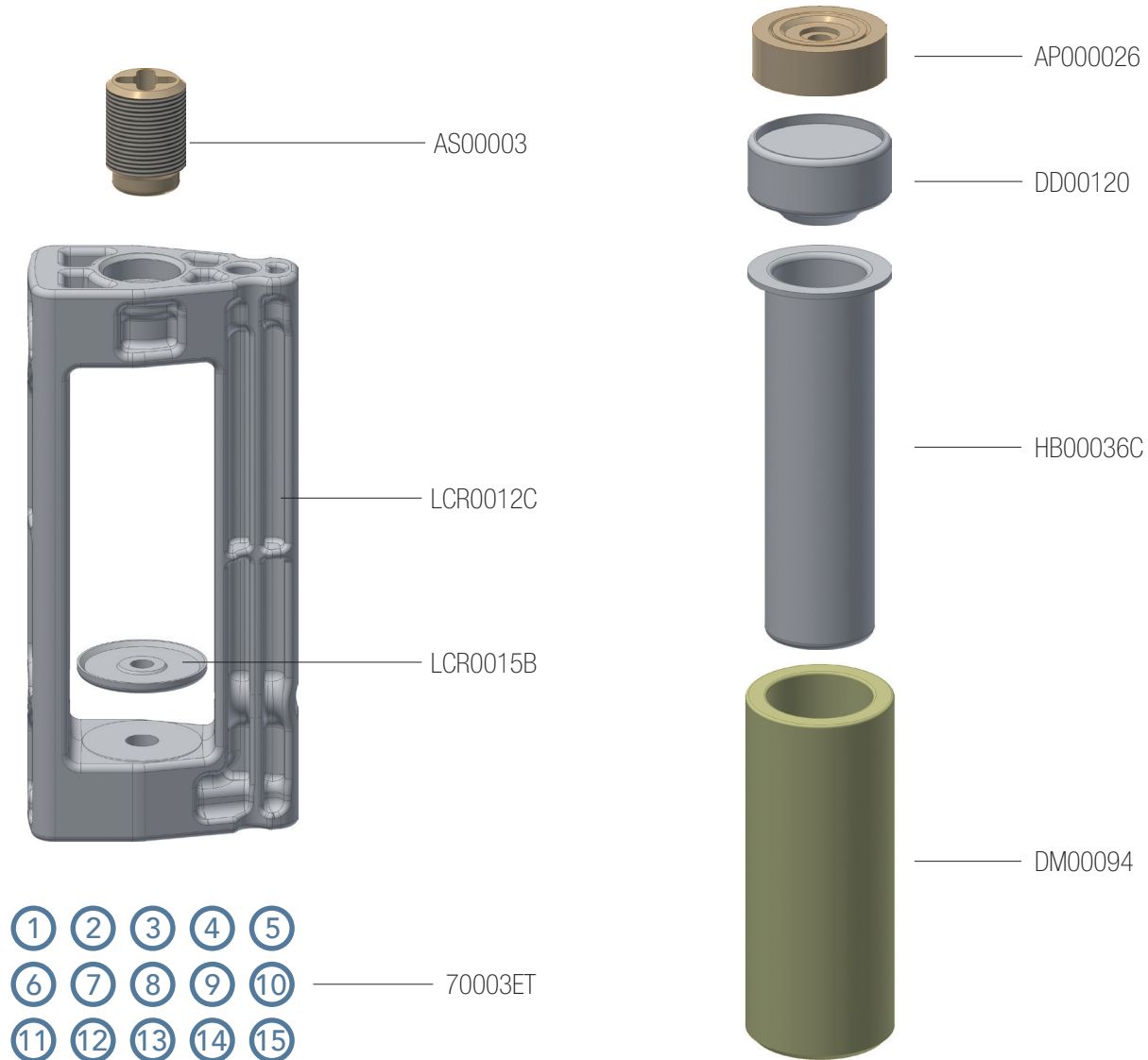
70126 +

P/N	Description
LCR00075 +	Segment complete for SK-15ET rotor
LCR15030D	Rotor body SK-15ET
70125	Tension Wrench adjusted at 10 Nm, adapter included
70126 +	Workstation complete for SK-15ET

# SK-15ET

## LCR00075

Segment complete for SK-15ET rotor

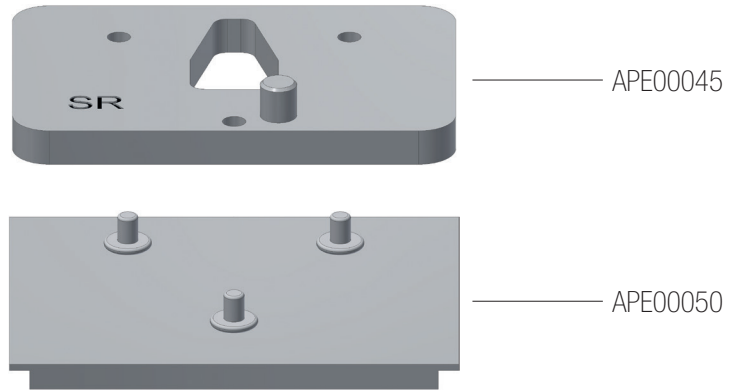


P/N	Description
AS00003	Pressure screw M26X37
LCR0012C	Segment SK-15ET
LCR0015B	Centering plate ITC 55/10x10 mm
70003ET	Label SK-15ET vessels
AP000026	Adapter plate with built-in safety releasing fluoropolymer spring
DD00120	TFM Cover
HB00036C	High pressure vessel for EasyTEMP control
DM00094	Safety shield for high pressure vessel

# SK-15ET

## 70126

Workstation complete for SK-15ET



P/N	Description
APE00045	Workstation for SK-15ET rotor, upper part
APE00050	Workstation for SK-15ET rotor, bottom part

**SK-15ET** **OPTIONS**



P/N	Description
PR00001	Indicator ring for SK-15ET vessel
DD00172	TFM cover with pressure port
PH00071	Sample rack 15 positions

## SK-15ET **CONSUMABLES KIT**

### SK15ET-KIT1 SK-15ET Start consumables kit

P/N	Qt.	Description
HB00036C	7	High pressure vessel for EasyTEMP control
DD00120	7	TFM Cover
AP000026	15	Adapter plate with built-in safety releasing fluoropolymer spring
SL0239E	1	Fep protection cover (set of 5 pieces)

### SK15ET-KIT2 SK-15ET Advanced consumables kit

P/N	Qt.	Description
HB00036C	15	High pressure vessel for EasyTEMP control
DD00120	15	TFM Cover
AP000026	15	Adapter plate with built-in safety releasing fluoropolymer spring
DM00094	15	Safety shield for high pressure vessel
SL0239E	1	Fep protection cover (set of 5 pieces)

# MAXI-14 Digestion Rotor for ETHOS LEAN

easyTEMP compatible

The MAXI-14 holds up to 14 PTFE-TFM vessels with a volume of 100 mL, and can perform digestion on a variety of samples, such as soils, sediments, wastewater and several organic matrices. The MAXI-14 rotor is fully compliant with commonly used standard methods, such as the US EPA 3015, 3051, and 3052.

## | SAMPLE TYPE



Officials



Agriculture



Beverage



Cannabis



Ceramics



Chemicals



Clinicals



Consumer Products



Environmental



Food & Feed



Metals & Mining



Petrochemicals



Pharmaceuticals



Pigments



Polymers

## | SAMPLE AMOUNT



Small



Medium



Large



Extra Large

## | SAMPLE THROUGHPUT



6 positions



10 positions



14 positions



15 positions



16 positions

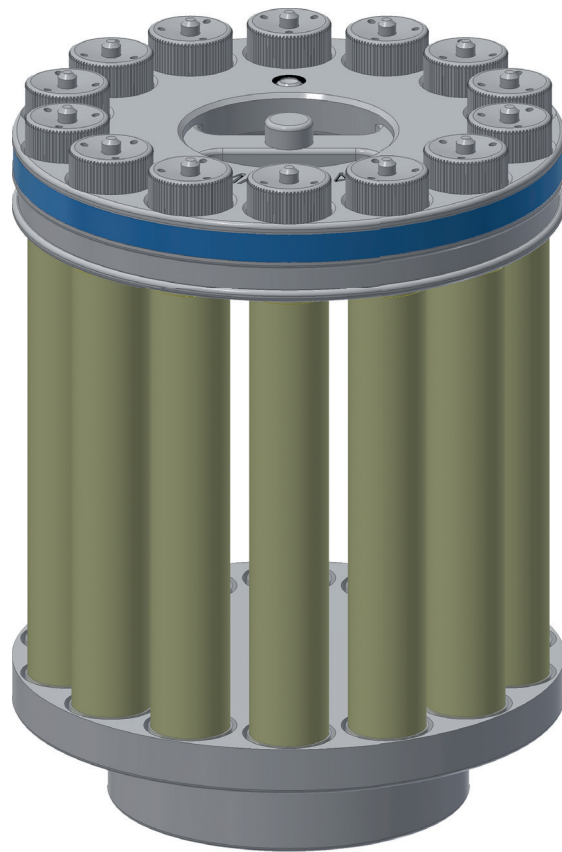


24 positions



44 positions

# MAXI-14 Digestion Rotor for ETHOS LEAN (easyTEMP compatible)

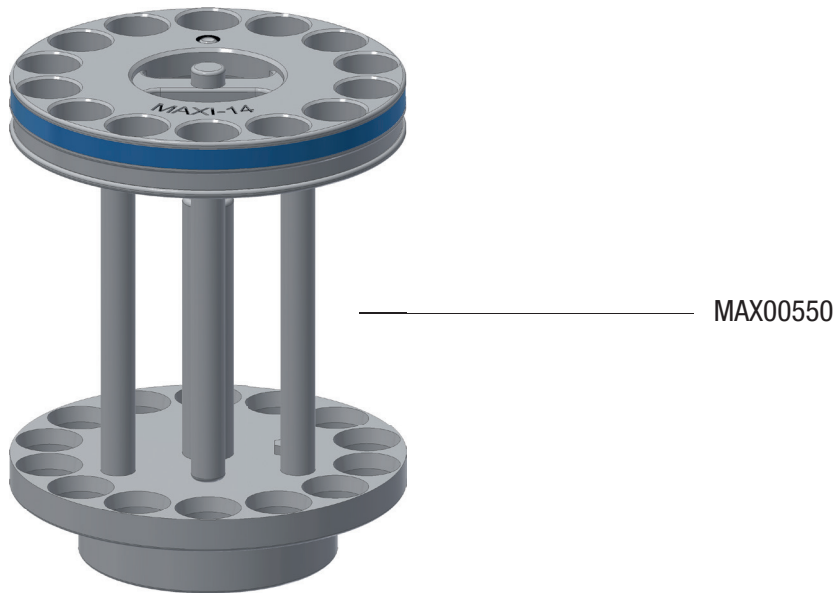


MAXI14A 

P/N	Description
MAXI14A 	MAXI-14 rotor, 100 mL, complete with 14 pressure reactors for ETHOS LEAN

# MAXI14A

MAXI-14 rotor, 100 mL, complete with 14 pressure reactors for ETHOS LEAN

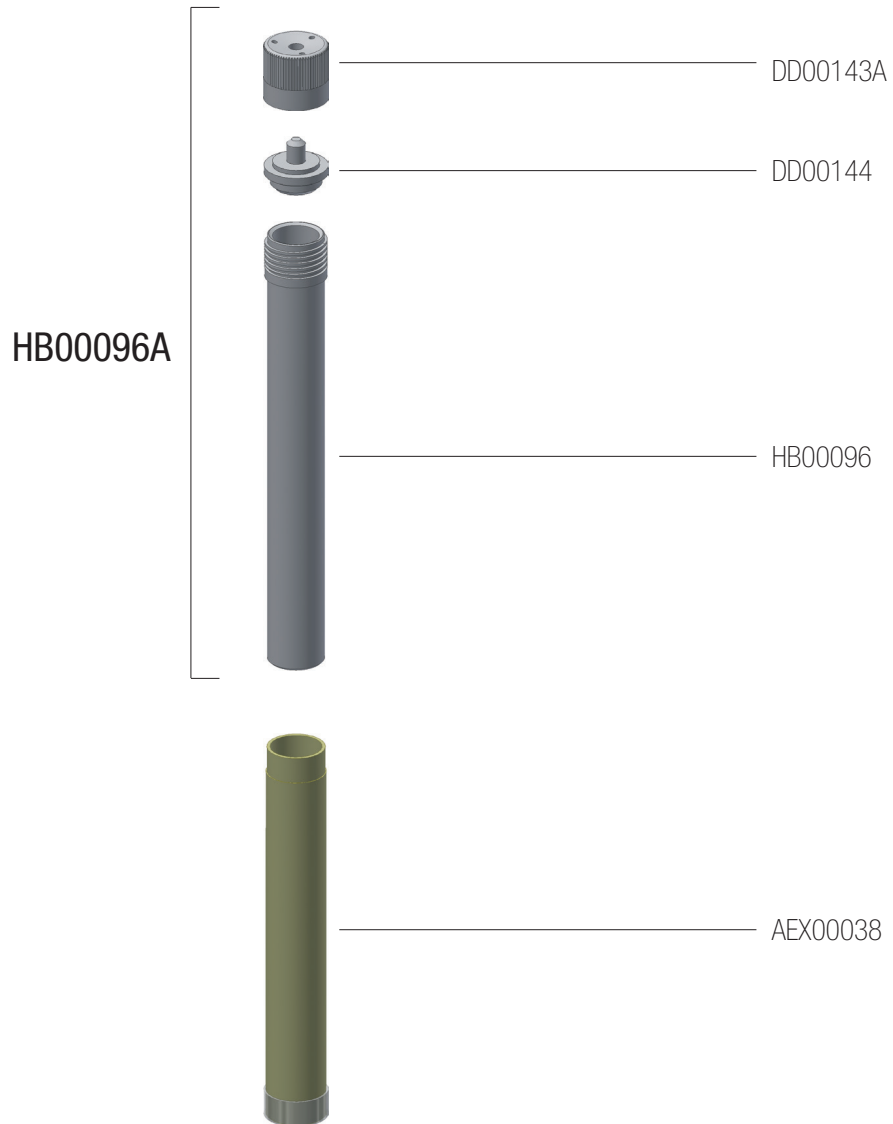


P/N	Description
MAX00550	MAXI-14 rotor body for 100 mL vessels for ETHOS LEAN
AEX00060 +	Vessel 100 mL with cover, automatic pressure valve and safety shield

# MAXI14A

## AEX00060

Vessel 100 ml with protection cover, automatic pressure valve and safety shield



P/N	Description
HB00096A	Vessel 100ml complete with threaded cover and pressure valve
- DD00143A	Cover with thread for MAXI rotor vessel
- DD00144	TFM valve for MAXI rotor cover
- HB00096	Vessel 100ml complete with thread for MAXI rotor
AEX00038	Protection shield for pressure vessel 100ml

# MAXI-14 HP Digestion Rotor for ETHOS LEAN

easyTEMP compatible

The MAXI-14 HP holds up to 14 PTFE-TFM vessels with a volume of 80 mL, and can perform digestion on a variety of samples, such as soils, sediments, wastewater and several organic matrices. The MAXI-14 HP rotor is fully compliant with commonly used standard methods, such as the US EPA 3015, 3051, and 3052.

## I SAMPLE TYPE



Officials



Agriculture



Beverage



Cannabis



Ceramics



Chemicals



Clinicals



Consumer Products



Environmental



Food & Feed



Metals & Mining



Petrochemicals



Pharmaceuticals



Pigments



Polymers

## I SAMPLE AMOUNT



Small



Medium



Large



Extra Large

## I SAMPLE THROUGHPUT



6 positions



10 positions



14 positions



15 positions



16 positions

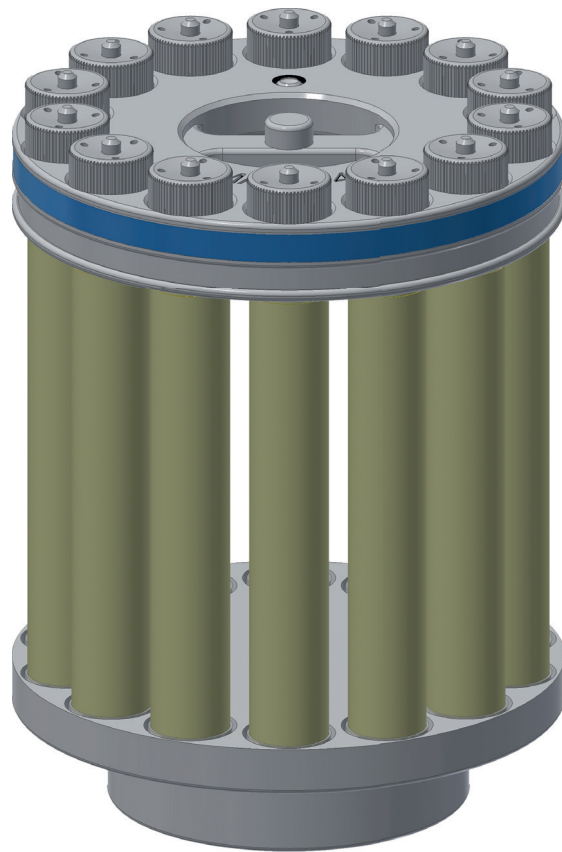


24 positions



44 positions

# MAXI-14 HP Digestion Rotor for ETHOS LEAN (easyTEMP compatible)

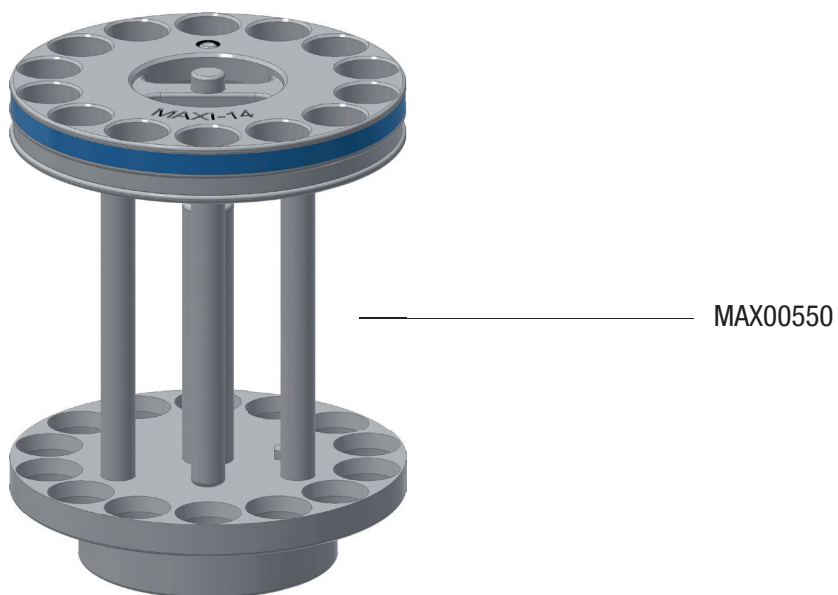


MAXI14HP-LEAN +

P/N	Description
MAXI14HP-LEAN +	MAXI-14 HP rotor, 80 mL, complete with 14 pressure reactors for ETHOS LEAN

## MAXI14HP-LEAN

MAXI-14 HP rotor, 80 mL, complete with 14 pressure reactors for ETHOS LEAN

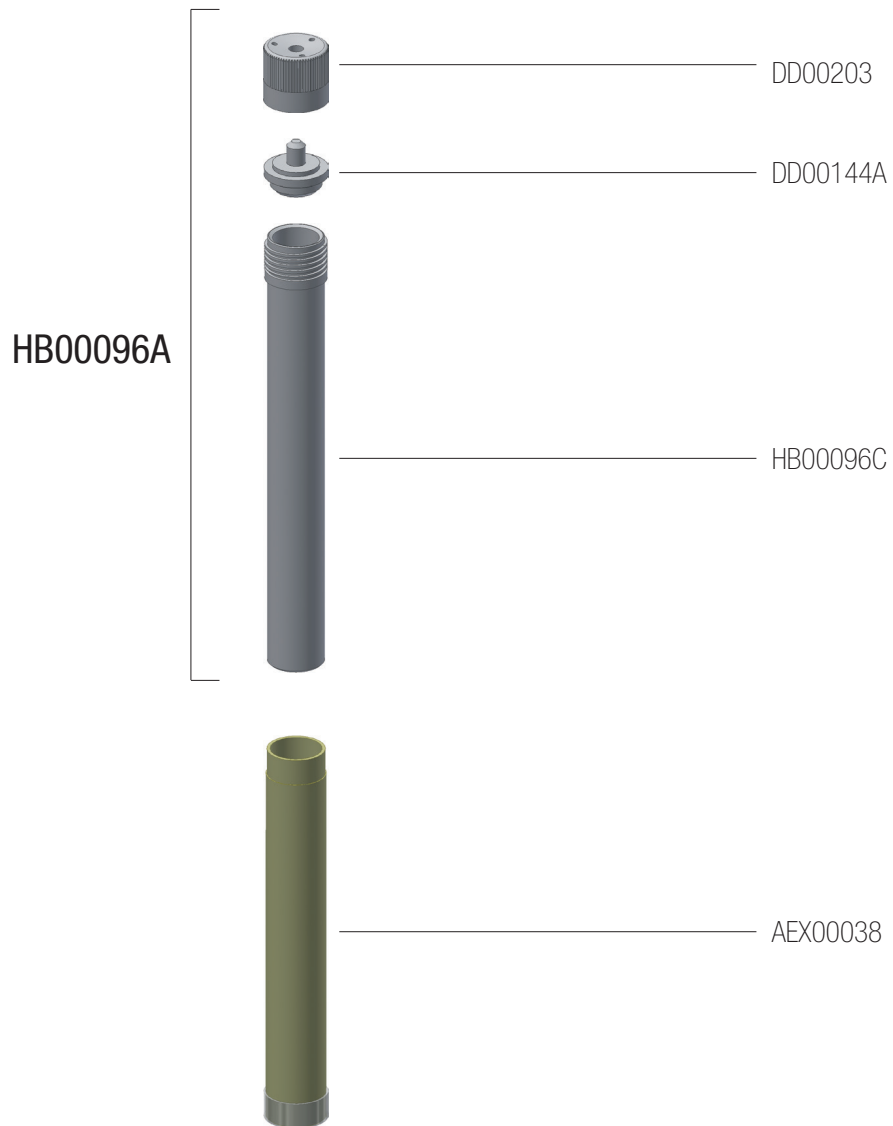


P/N	Description
MAX00550	MAXI-14 HP rotor body for 80 mL vessels for ETHOS LEAN
AEX24020 +	Vessel 100 mL with cover, automatic pressure valve and safety shield

# MAXI14HP-LEAN

## AEX24020

Vessel 80 ml with protection cover, automatic pressure valve and safety shield



P/N	Description
HB00096A	Vessel 80ml complete with threaded cover and pressure valve
- HB00096C	PTFE-TFM vessel 80ml
- DD00203	PTFE-TFM screw cap for vessel 80ml
- DD00144A	PTFE-TFM valve for vessel 80ml
AEX00038	Protection shield for pressure vessel 80ml

# MAXI-24 HP High Performance Rotor

easyTEMP compatible

The MAXI-24 High Performance and Throughput Rotor is a rotor holding up to 24 PTFE-TFM vessels with a volume of 80 mL. The MAXI-24 High Performance (HP) offers superior productivity on a wide variety of matrices without compromising the digestion quality and performance.

## I SAMPLE TYPE



Officials



Agriculture



Beverage



Cannabis



Ceramics



Chemicals



Clinicals



Consumer Products



Environmental



Food & Feed



Metals & Mining



Petrochemicals



Pharmaceuticals



Pigments



Polymers

## I SAMPLE AMOUNT



Small



Medium



Large



Extra Large

## I SAMPLE THROUGHPUT



6 positions



10 positions



12 positions



15 positions



16 positions

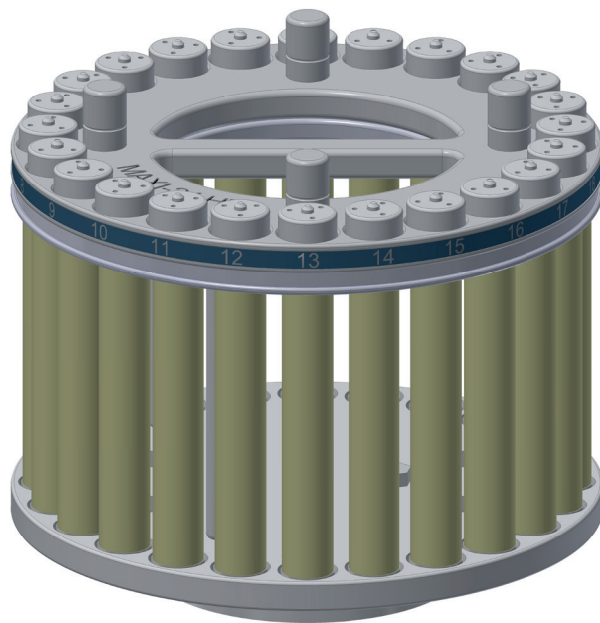


24 positions



44 positions

# MAXI-24 HP Microwave Digestion Rotor (easyTEMP compatible)

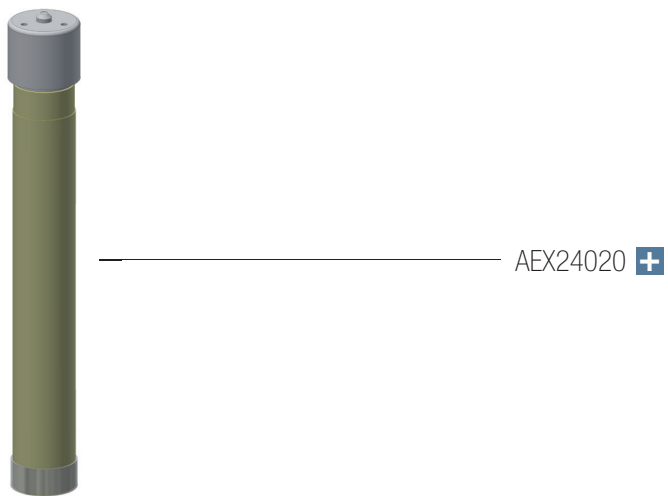
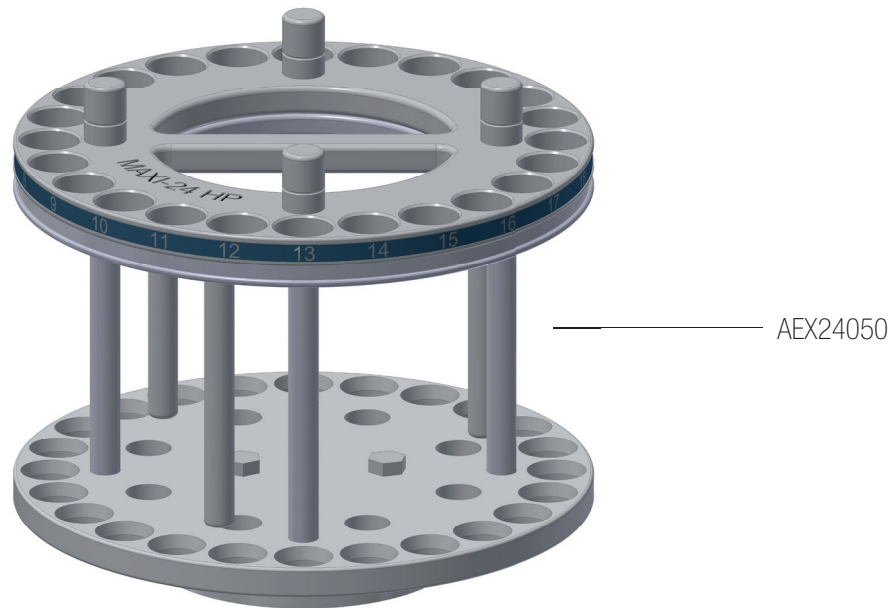


MAXI24HP 

P/N	Description
MAXI24HP 	MAXI-24 High Performance and Throughput rotor, 80 ml, complete with 24 pressure reactors

# MAXI24HP

MAXI-24 High Performance and Throughput rotor, 80 ml, complete with 24 pressure reactors

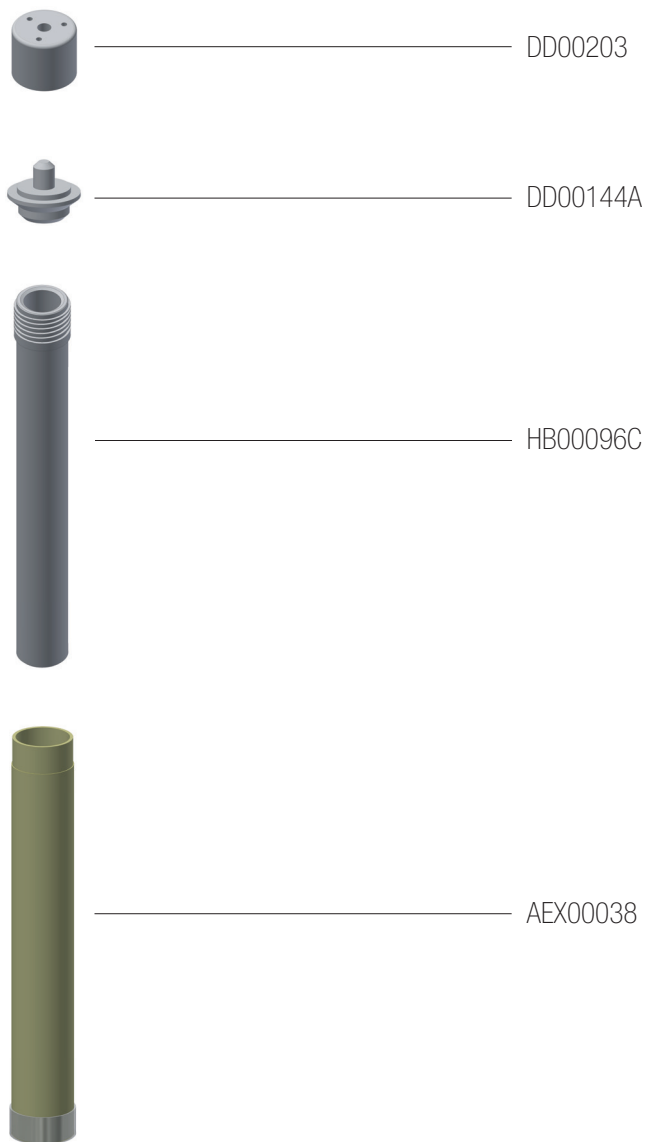


P/N	Description
AEX24050	MAXI-24 high performance and throughput rotor body
AEX24020 +	MAXI-24 high performance and throughput vessel complete 80ml

# MAXI24HP

## AEX24020

MAXI-24 high performance and throughput vessel complete 80ml



P/N	Description
DD00203	PTFE-TFM screw cap for vessel 80ml
DD00144A	PTFE-TFM valve for vessel 80ml
HB00096C	PTFE-TFM vessel 80ml
AEX00038	Protection shield for pressure vessel

# MAXI-24 HP

## CONSUMABLES KIT

### MAXI24HP-KIT1 MAXI-24 HP Start consumables kit

P/N	Qt.	Description
HB00096C	8	PTFE-TFM vessel 80ml
DD00203	8	PTFE-TFM screw cap for vessel 80ml

### MAXI24HP-KIT2 MAXI-24 HP Advanced consumables kit

P/N	Qt.	Description
HB00096C	24	PTFE-TFM vessel 80ml
DD00203	24	PTFE-TFM screw cap for vessel 80ml

# MAXI-44 High Throughput Rotor

easyTEMP compatible

The MAXI-44 is a very high throughput rotor holding up to 44 TFM vessels with a volume of 100 mL, and can perform easy digestions or leaching-type reactions on a variety of samples, such as soils, sediments, wastewater etc. The MAXI-44 rotor is fully compliant with commonly used standard methods, such as the US EPA 3015, 3051, and 3052.

## | SAMPLE TYPE



Officials



Agriculture



Beverage



Cannabis



Ceramics



Chemicals



Clinicals



Consumer Products



Environmental



Food & Feed



Metals & Mining



Petrochemicals



Pharmaceuticals



Pigments



Polymers

## | SAMPLE AMOUNT



Small



Medium



Large



Extra Large

## | SAMPLE THROUGHPUT



6 positions



10 positions



12 positions



15 positions



16 positions



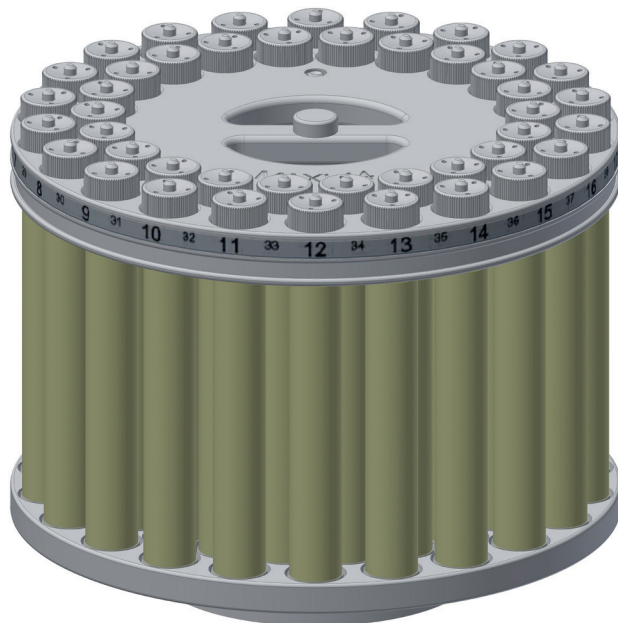
24 positions



44 positions

# MAXI-44 Microwave Digestion Rotor

(easyTEMP compatible)

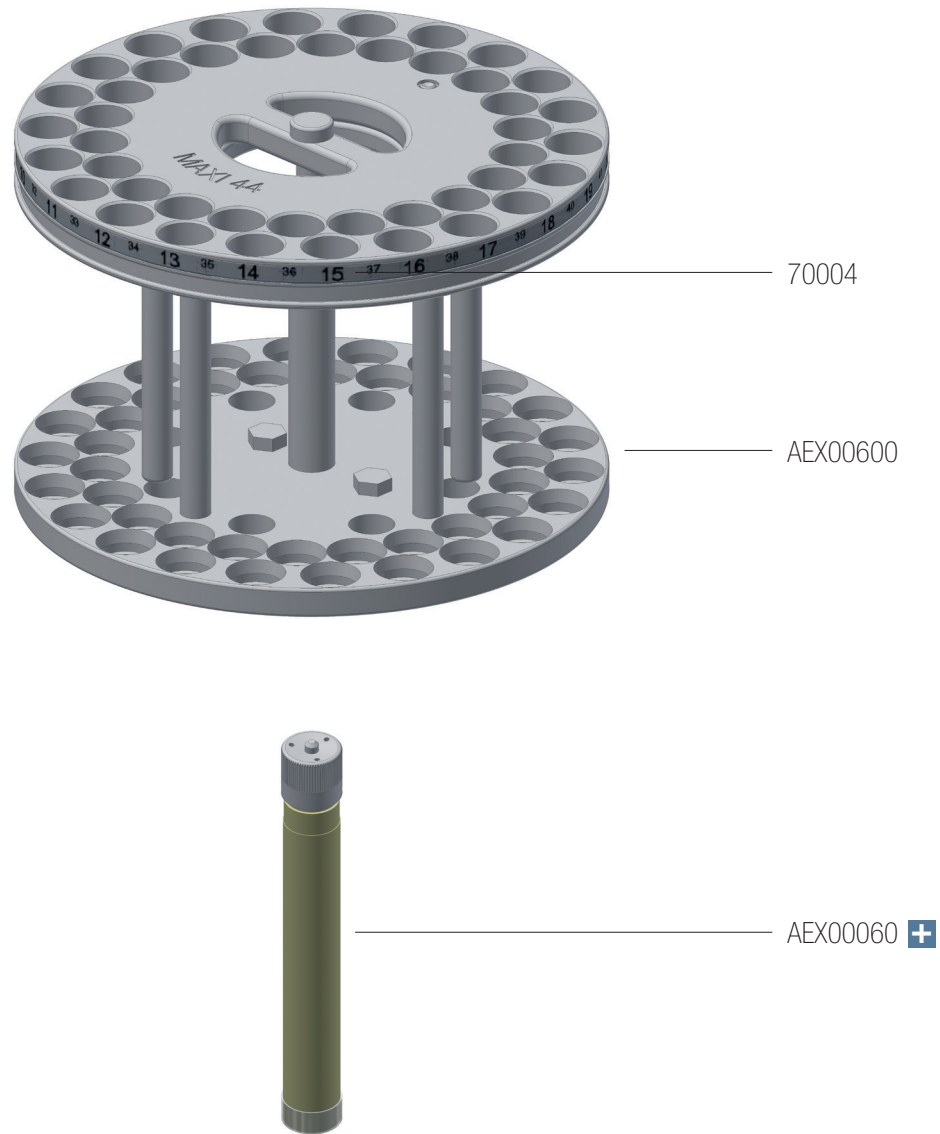


MAXI44 

P/N	Description
MAXI44 	MAXI-44 high throughput rotor, 100 ml, complete with 44 pressure reactors

# MAXI44

MAXI-44 high throughput rotor, 100 ml, complete with 44 pressure reactors

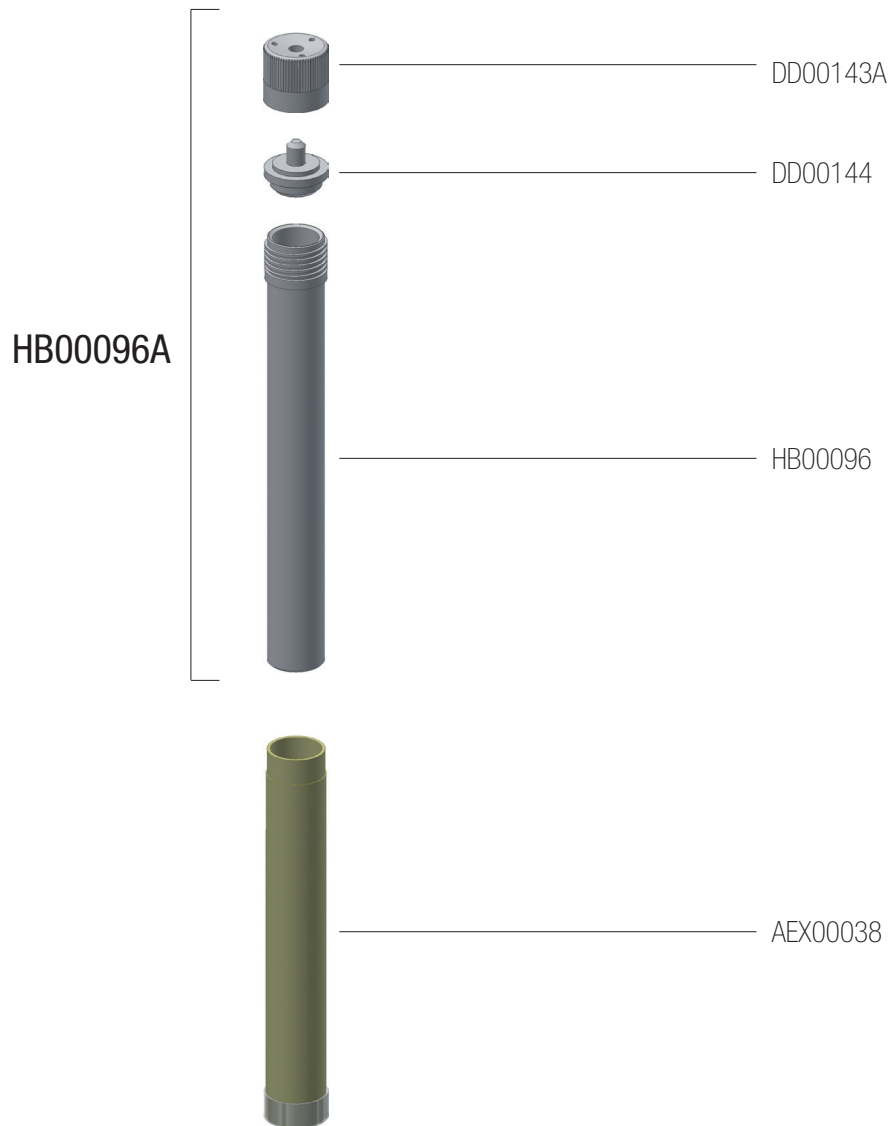


P/N	Description
70004	Label Maxi 44 rotor
AEX00600	MAXI-44 rotor body for 100ml vessels
AEX00060 +	Vessel 100 ml with protection cover, automatic pressure valve and safety shield

# MAXI44

## AEX00060

Vessel 100 ml with protection cover, automatic pressure valve and safety shield



P/N	Description
HB00096A	Vessel 100ml complete with threaded cover and pressure valve
- DD00143A	Cover with thread for MAXI rotor vessel
- DD00144	TFM valve for MAXI rotor cover
- HB00096	Vessel 100ml complete with thread for MAXI rotor
AEX00038	Protection shield for pressure vessel 100ml

## MAXI-44 CONSUMABLES KIT

### MAXI44-KIT1 MAXI44 Start consumables kit

P/N	Qt.	Description
HB00096	11	Vessel 100ml complete with thread for MAXI rotor
DD00143A	11	Cover with thread for MAXI rotor vessel
DD00144	11	TFM valve for MAXI rotor cover

### MAXI44-KIT2 MAXI44 Advanced consumables kit

P/N	Qt.	Description
HB00096	22	Vessel 100ml complete with thread for MAXI rotor
DD00143A	22	Cover with thread for MAXI rotor vessel
DD00144	22	TFM valve for MAXI rotor cover
AEX00038	11	Protection shield for pressure vessel 100ml

# ultraWAVE 1, 2 and 2 eco 4 Position Racks

The ultraWAVE 1, 2 and 2 eco rack accommodates vials of different materials such as PTFE/TFM, quartz or disposable glass, and all are fitted with loose TFM caps to ensure pressure equalization. The Numbered rack tray provides the user with an easy visual indication of the vial number. Different vials material can be used along the same run.

## | SAMPLE TYPE

---



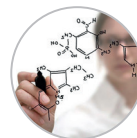
Food



Geochemistry



Metals



Research

## | SAMPLE AMOUNT

---



Small



Medium



Large



Extra Large

## | RACKS MATERIAL

---



Glass

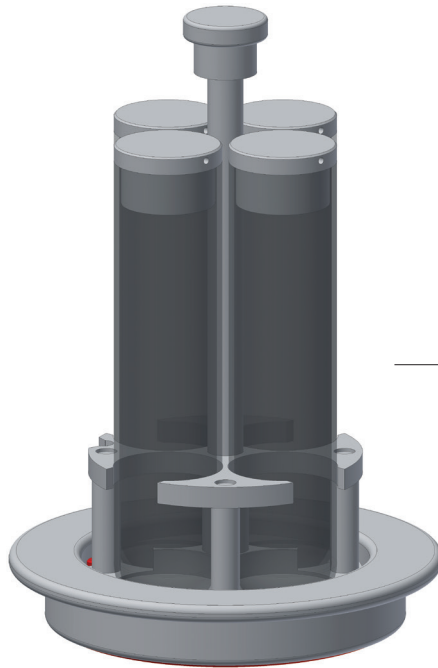


PTFE/TFM



Quartz

# ultraWAVE 1, 2 and 2 eco 4 Position Racks



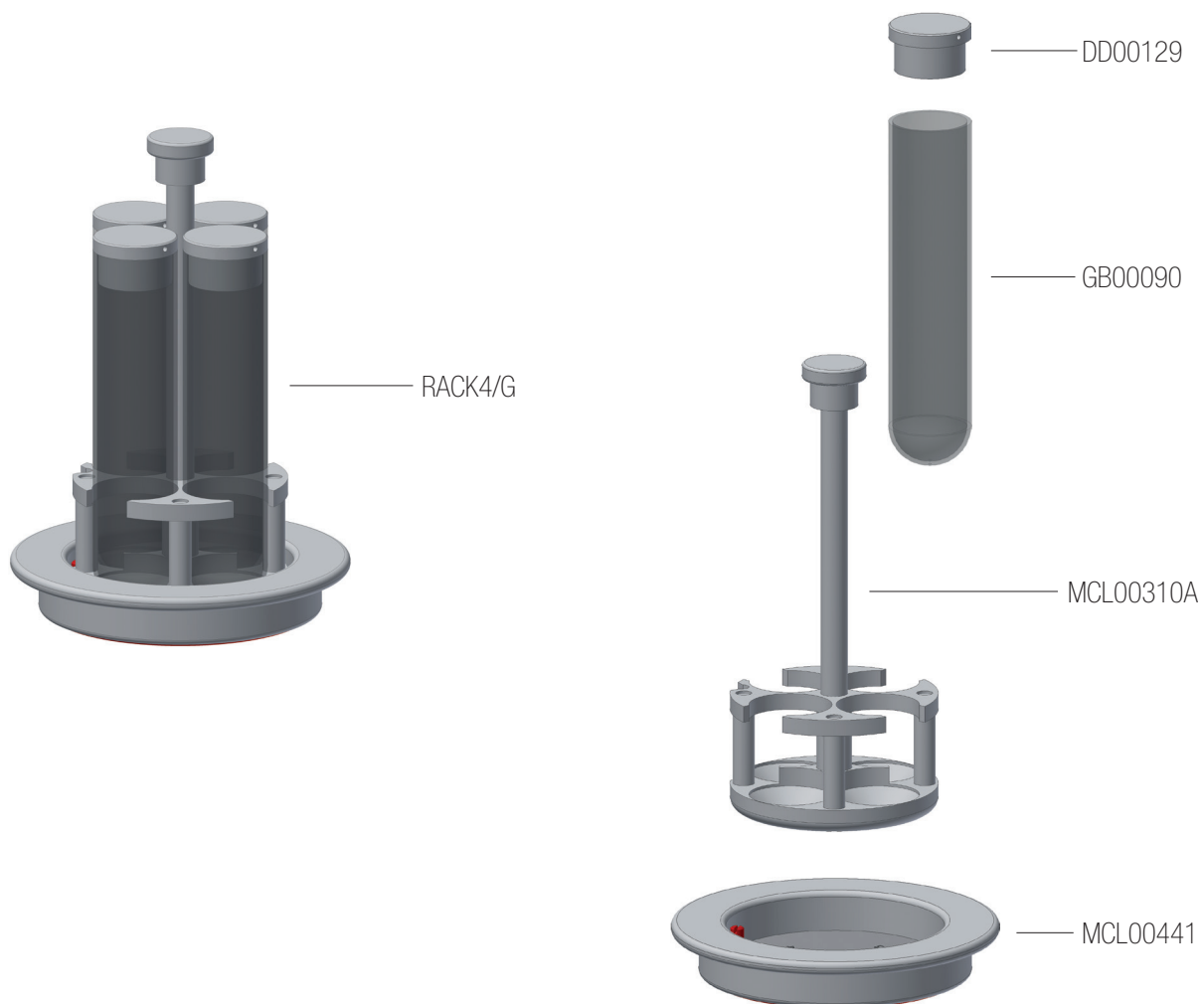
- RACK4/G +
- RACK4/Q +
- RACK4/T +

P/N	Description
RACK4/G +	4 position rack with GLASS vials and caps
RACK4/Q +	4 position rack with QUARTZ vials and caps
RACK4/T +	4 position rack with TFM vials and caps

+ *Include subparts*

## RACK4/G

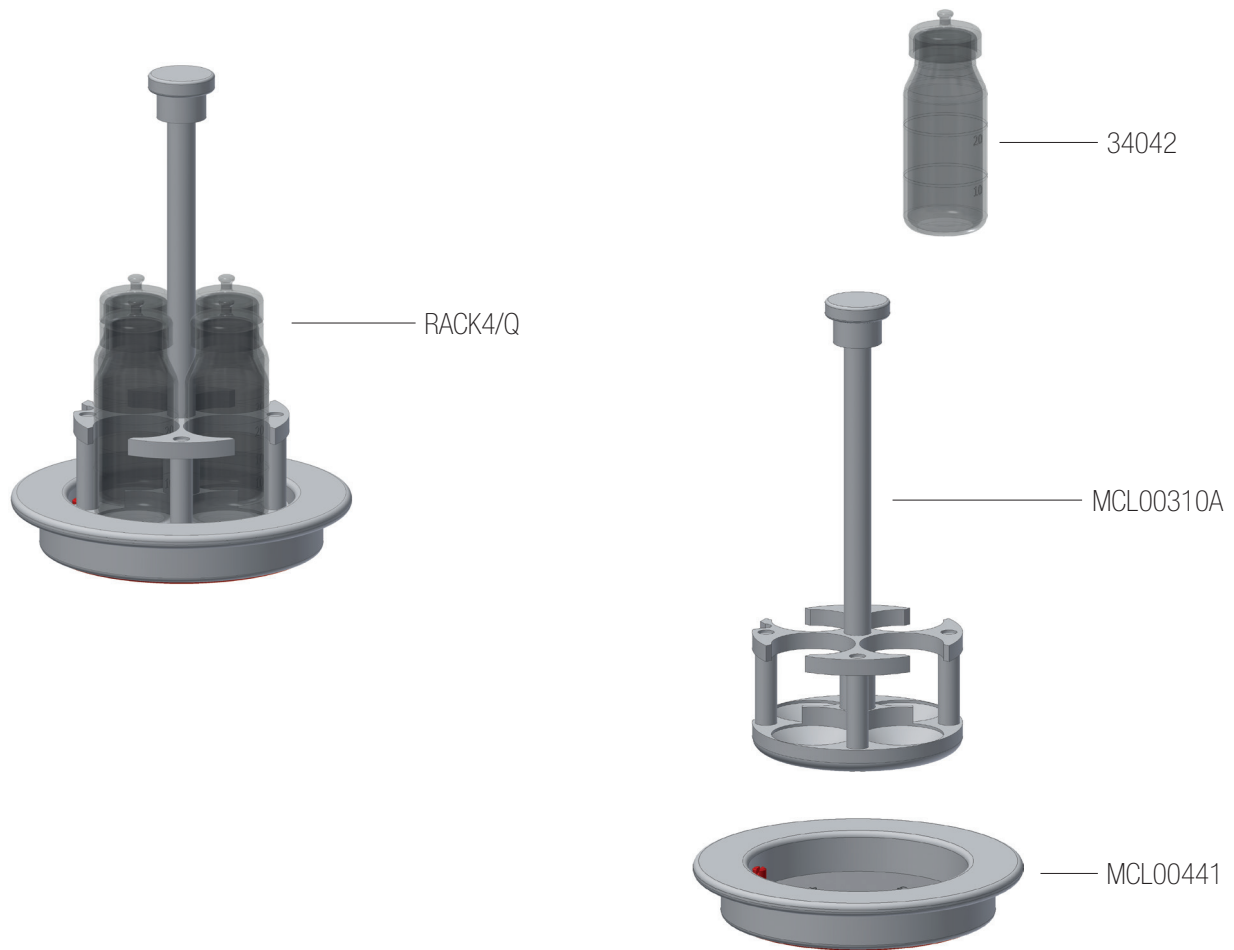
4 positions rack with GLASS vials and caps



P/N	Description
RACK4/G	4 positions rack with GLASS vials and caps
DD00129	PTFE cap for vial Ø 30mm with internal Ø 27mm
GB00090	Glass vial 30/130 (Ø 30mm/27mm x 130) ca. 70 ml
MCL00310A	Sample rack 4/30
MCL00441	Rack bottom plate with 04 numbered positions

# RACK4/Q

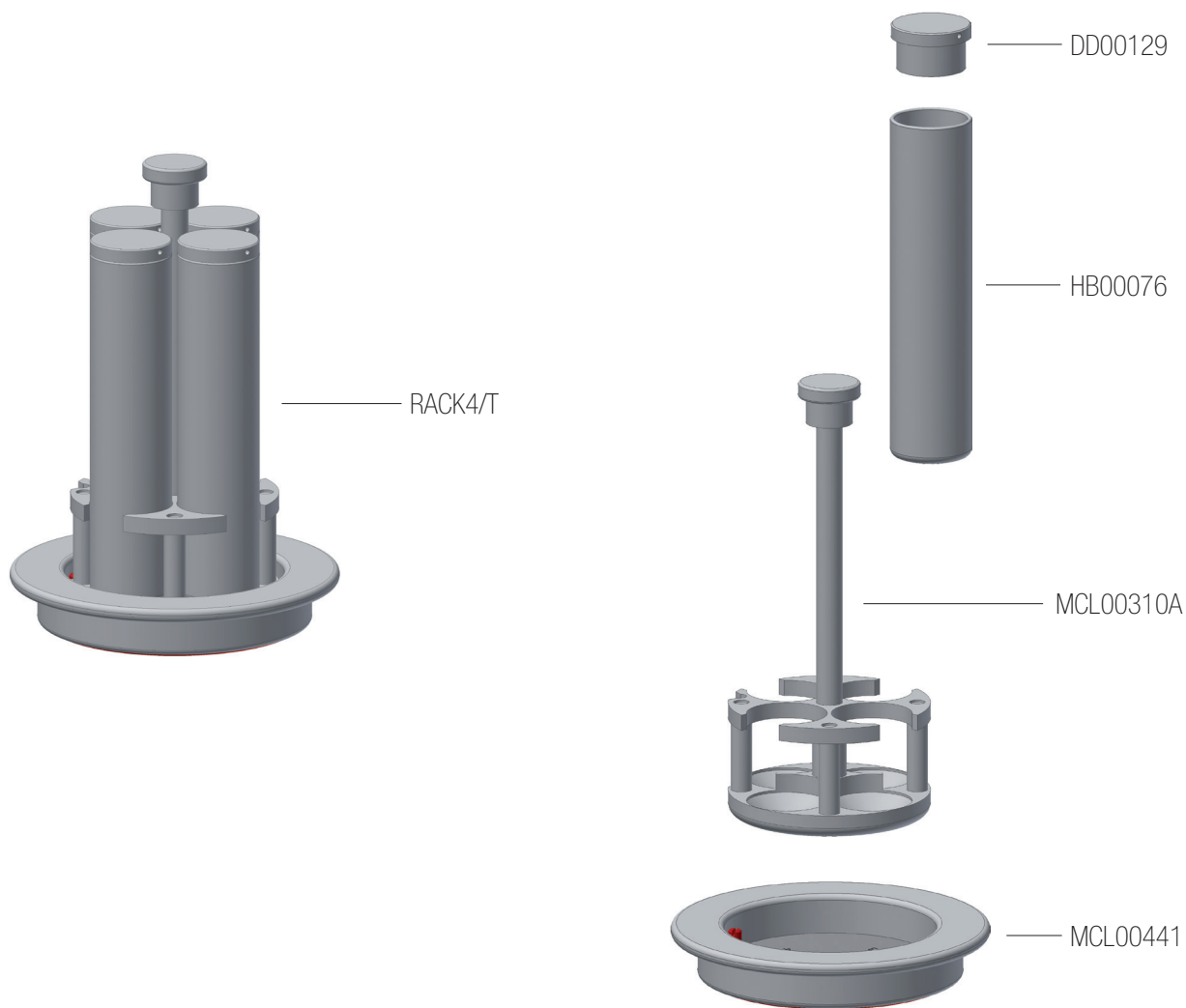
4 position rack with QUARTZ vials and caps



P/N	Description
RACK4/Q	4 position rack with QUARTZ vials and caps
34042	QS-50 Quartz Inserts COMPLETE (Ø 30mm x 70mm) cover included
MCL00310A	Sample rack 4/30
MCL00441	Rack bottom plate with 04 numbered positions

# RACK4/T

4 positions rack with TFM vials and caps



P/N	Description
RACK4/T	4 positions rack with TFM vials and caps
DD00129	PTFE cap for vial Ø 30mm with internal Ø 27mm
HB00076	PTFE vial 30/130 (Ø 30 mm/27 mm x 130), ca. 70 ml
MCL00310A	Sample rack 4/30
MCL00441	Rack bottom plate with 04 numbered positions

# ultraWAVE 1, 2 and 2 eco 5 Position Racks

The ultraWAVE 1, 2 and 2 eco rack accommodates vials of different materials such as PTFE/TFM, quartz or disposable glass, and all are fitted with loose TFM caps to ensure pressure equalization. The Numbered rack tray provides the user with an easy visual indication of the vial number. Different vials material can be used along the same run.

## | SAMPLE TYPE

---



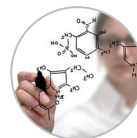
Food



Geochemistry



Metals



Research

## | SAMPLE AMOUNT

---



Small



Medium



Large



Extra Large

## | RACKS MATERIAL

---



Glass

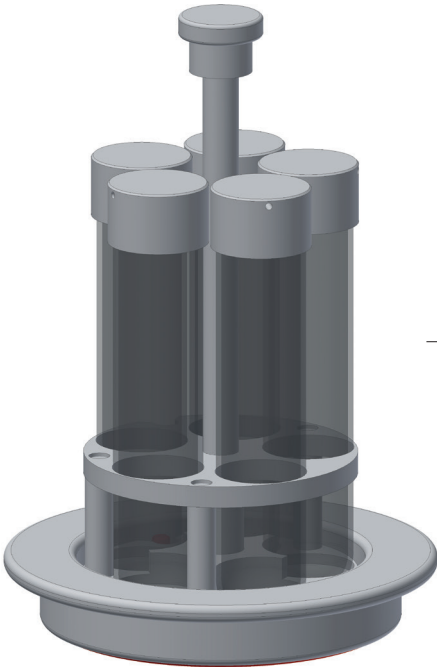


PTFE/TFM



Quartz

# ultraWAVE 1, 2 and 2 eco 5 Position Racks



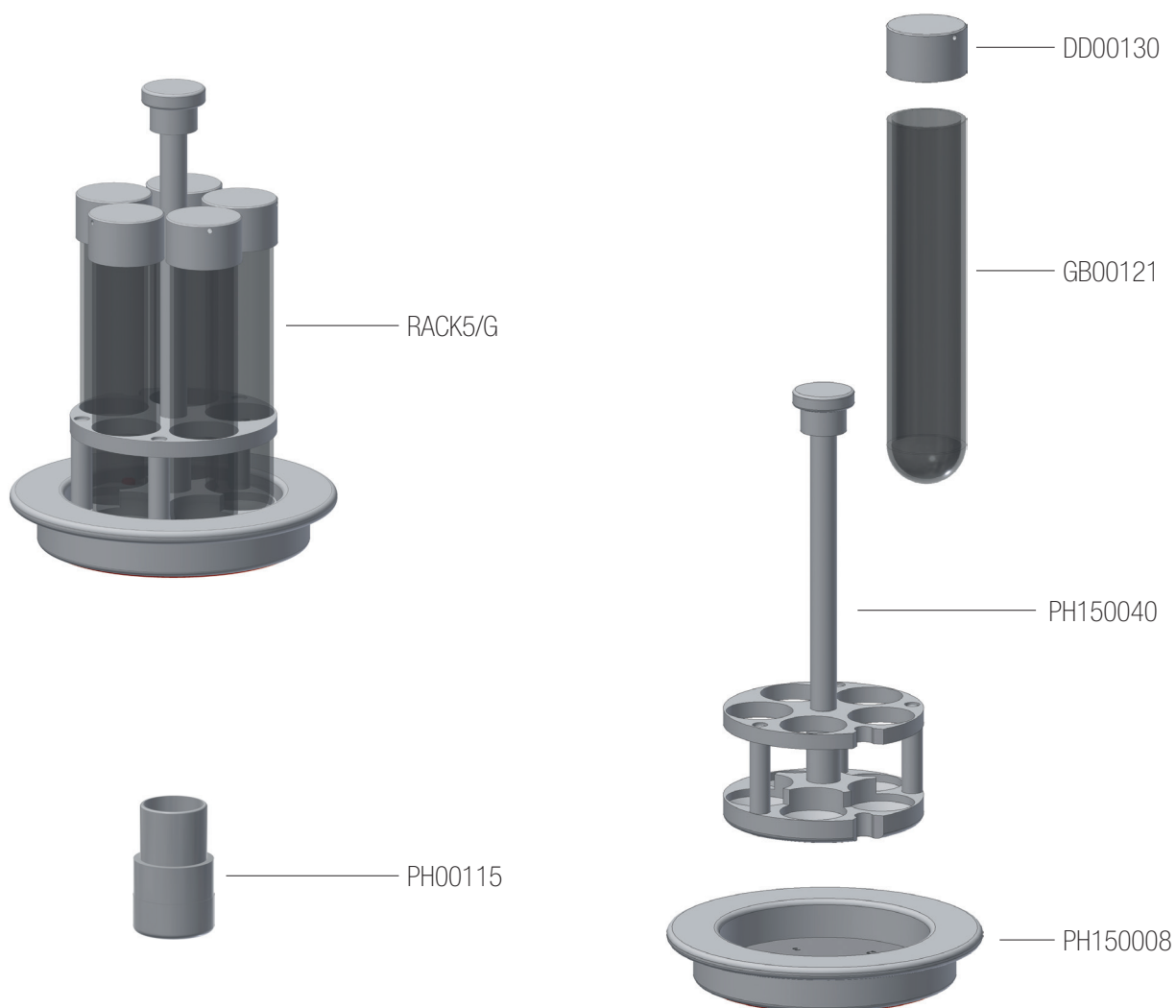
- RACK5/G +
- RACK5/Q +
- RACK5/T +

P/N	Description
RACK5/G +	5 position rack with GLASS vials and caps
RACK5/Q +	5 position rack with QUARTZ vials and caps
RACK5/T +	5 position rack with TFM vials and caps

+ Include subparts

## RACK5/G

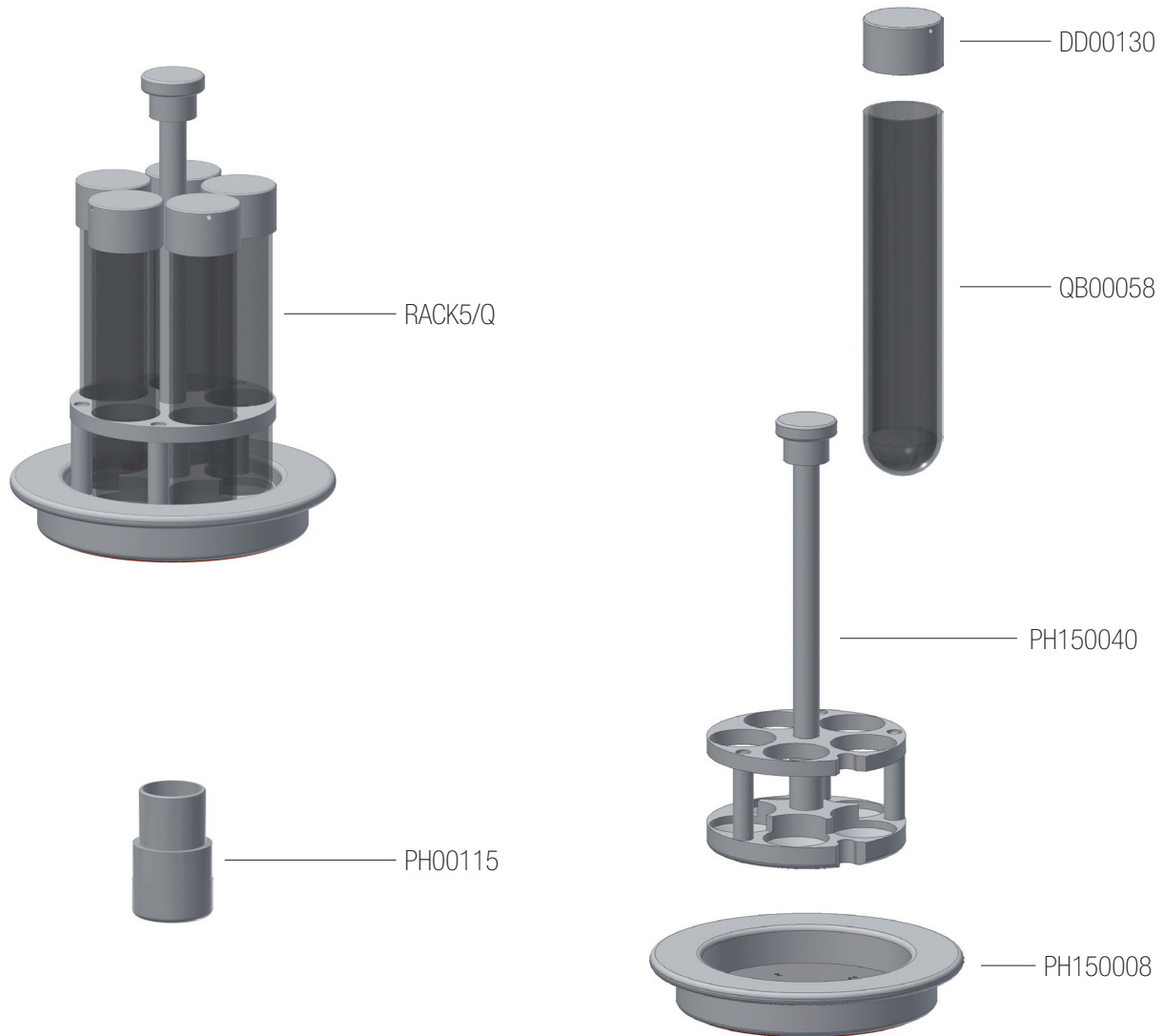
5 position rack with GLASS vials and caps



P/N	Description
RACK5/G	5 position rack with GLASS vials and caps
PH00115	Weighing adapter
DD00130	PTFE cap for vial Ø 25 mm
GB00121	Glass vial 25/120 (Ø 25 mm/22mm x 120mm) ca. 40 ml
PH150040	Sample rack 5/25
PH150008	Rack bottom plate with 05 numbered positions

# RACK5/Q

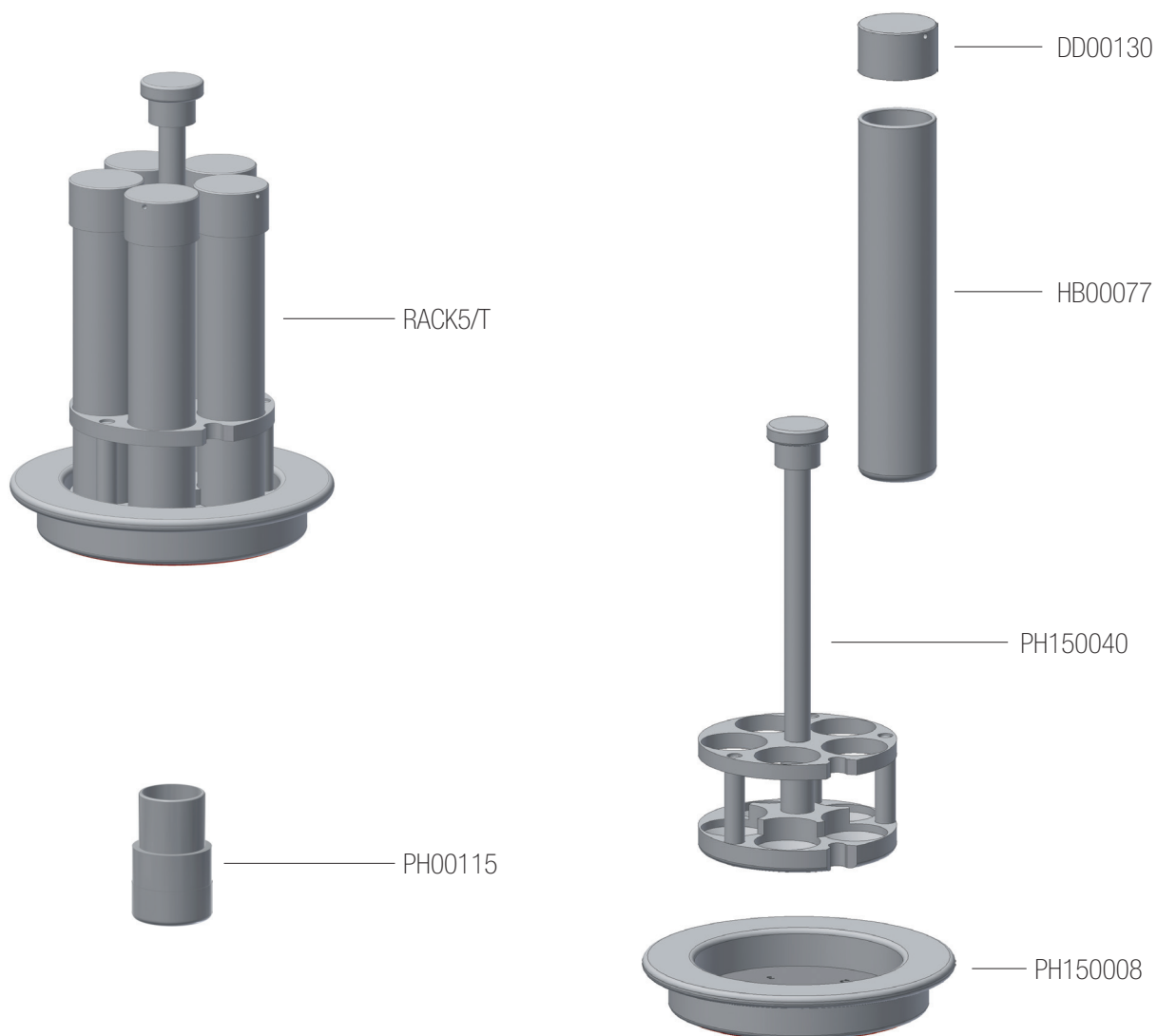
5 position rack with QUARTZ vials and caps



P/N	Description
RACK5/Q	5 position rack with QUARTZ vials and caps
PH00115	Weighing adapter
DD00130	PTFE cap for vial Ø 25 mm
QB00058	Quartz vial 25/120 (Ø 25 mm/22 mm x 120mm) ca. 40 ml
PH150040	Sample rack 5/25
PH150008	Rack bottom plate with 05 numbered positions

## RACK5/T

5 position rack with TFM vials and caps



P/N	Description
RACK5/T	5 position rack with TFM vials and caps
PH00115	Weighing adapter
DD00130	PTFE cap for vial Ø 25 mm
HB00077	PTFE vial 25/120 (Ø 25 mm/22 mm x 120mm) ca. 40 ml
PH150040	Sample rack 5/25
PH150008	Rack bottom plate with 05 numbered positions

# ultraWAVE 1, 2 and 2 eco 8 Position Racks

The ultraWAVE 1, 2 and 2 eco rack accommodates vials of different materials such as PTFE/TFM, quartz or disposable glass, and all are fitted with loose TFM caps to ensure pressure equalization. The Numbered rack tray provides the user with an easy visual indication of the vial number. Different vials material can be used along the same run.

## | SAMPLE TYPE

---



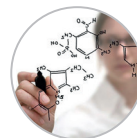
Food



Geochemistry



Metals



Research

## | SAMPLE AMOUNT

---



Small



Medium



Large



Extra Large

## | RACKS MATERIAL

---



Glass

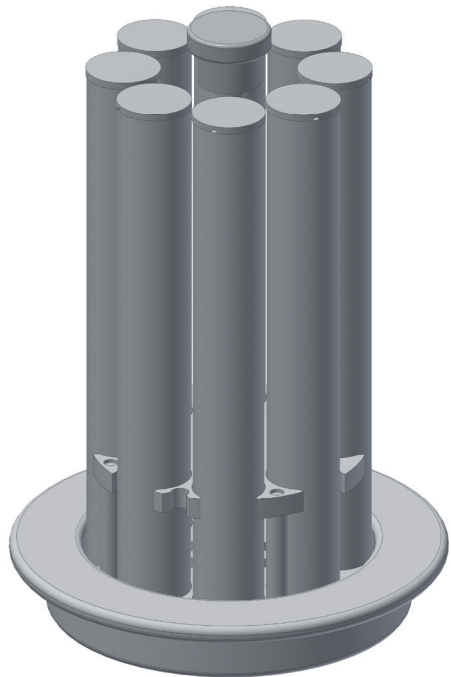


PTFE/TFM



Quartz




# ultraWAVE 1, 2 and 2 eco 8 Position Racks



RACK8/G 

RACK8/T 

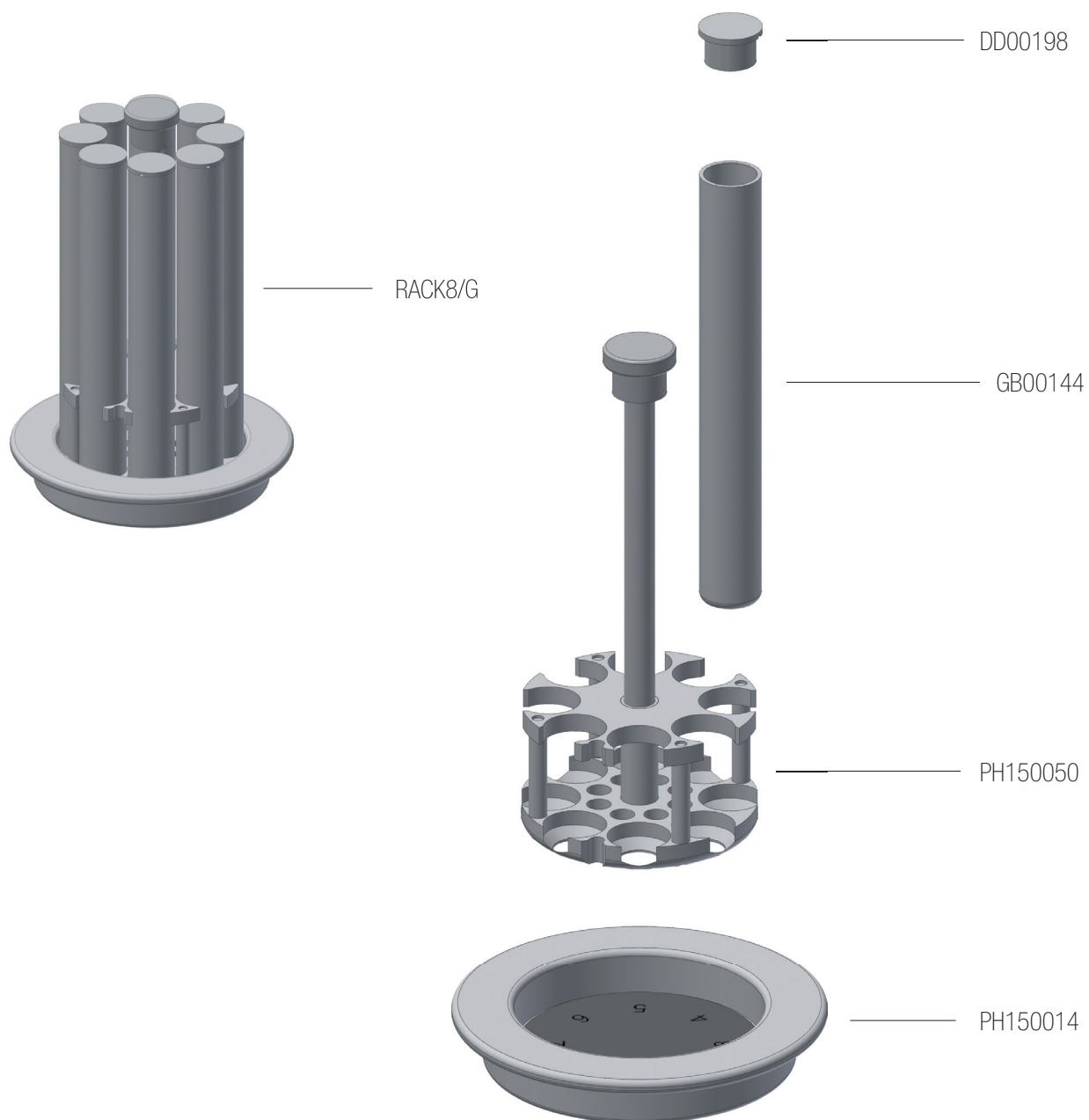
RACK8/Q 

P/N	Description
RACK8/G 	8 position rack with GLASS vials and caps
RACK8/T 	8 position rack with TFM vials and caps
RACK8/Q 	8 position rack with QUARTZ vials and caps

 *Include subparts*

# RACK8/G

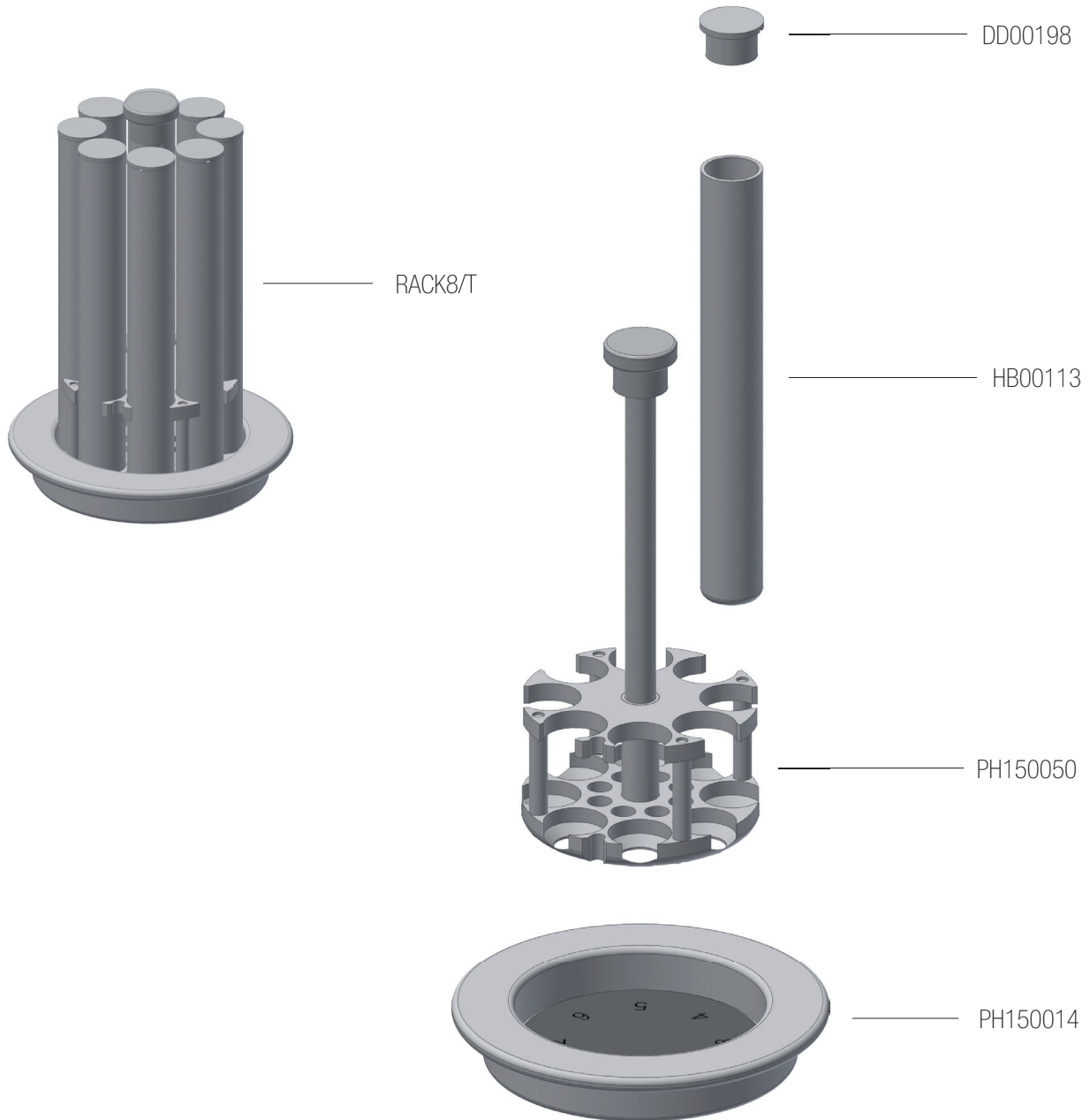
8 position rack with GLASS vials and caps



P/N	Description
PH150050	Sample rack 8/20
PH150014	Rack bottom plate with 08 numbered positions
DD00198	PTFE cap for vial Ø 20 mm
GB00144	Glass vial 20/120 (Ø 20 mm/17 mm x 120 mm) ca. 29 ml

# RACK8/T

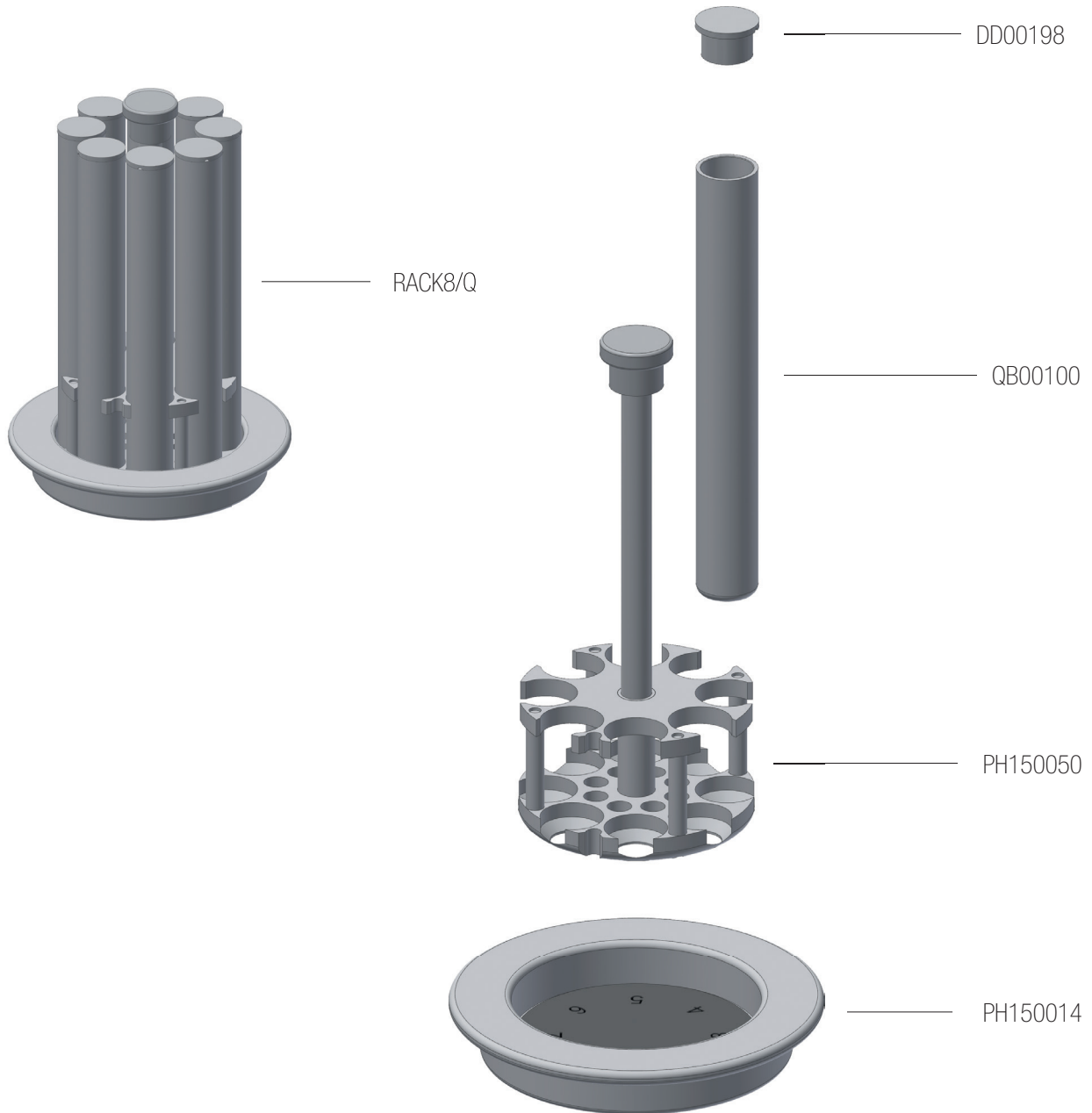
8 position rack with TFM vials and caps



P/N	Description
PH150050	Sample rack 8/20
PH150014	Rack bottom plate with 08 numbered positions
DD00198	PTFE cap for vial Ø 20 mm
HB00113	TFM vial 20/150 (Ø 20 mm/17 mm x 150 mm) ca. 33 ml

# RACK8/Q

8 position rack with QUARTZ vials and caps



P/N	Description
PH150050	Sample rack 8/20
PH150014	Rack bottom plate with 08 numbered positions
DD00198	PTFE cap for vial Ø 20 mm
QB00100	Quartz vials Ø 20 x 130 mm

# ultraWAVE 1, 2 and 2 eco 15 Position Racks

The ultraWAVE 1, 2 and 2 eco rack accommodates vials of different materials such as PTFE/TFM, quartz or disposable glass, and all are fitted with loose TFM caps to ensure pressure equalization. The Numbered rack tray provides the user with an easy visual indication of the vial number. Different vials material can be used along the same run.

## | SAMPLE TYPE



Biological



Environmental



Food



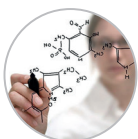
Geochemistry



Pharmaceuticals



Petrochemicals



Research

## | SAMPLE AMOUNT



Small



Medium



Large



Extra Large

## | RACKS MATERIAL



Glass

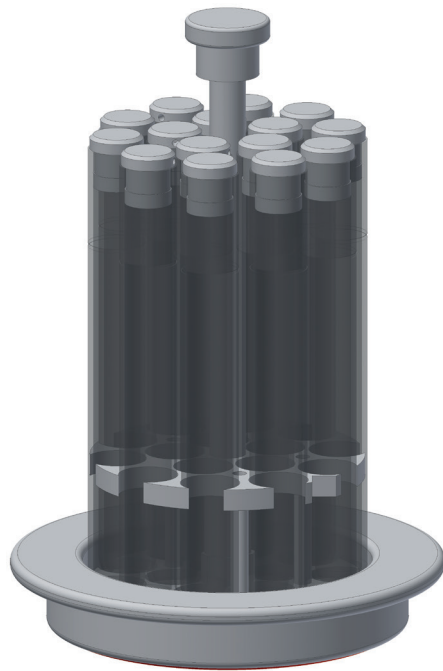


PTFE/TFM






Quartz

# ultraWAVE 1, 2 and 2 eco 15 Position Racks



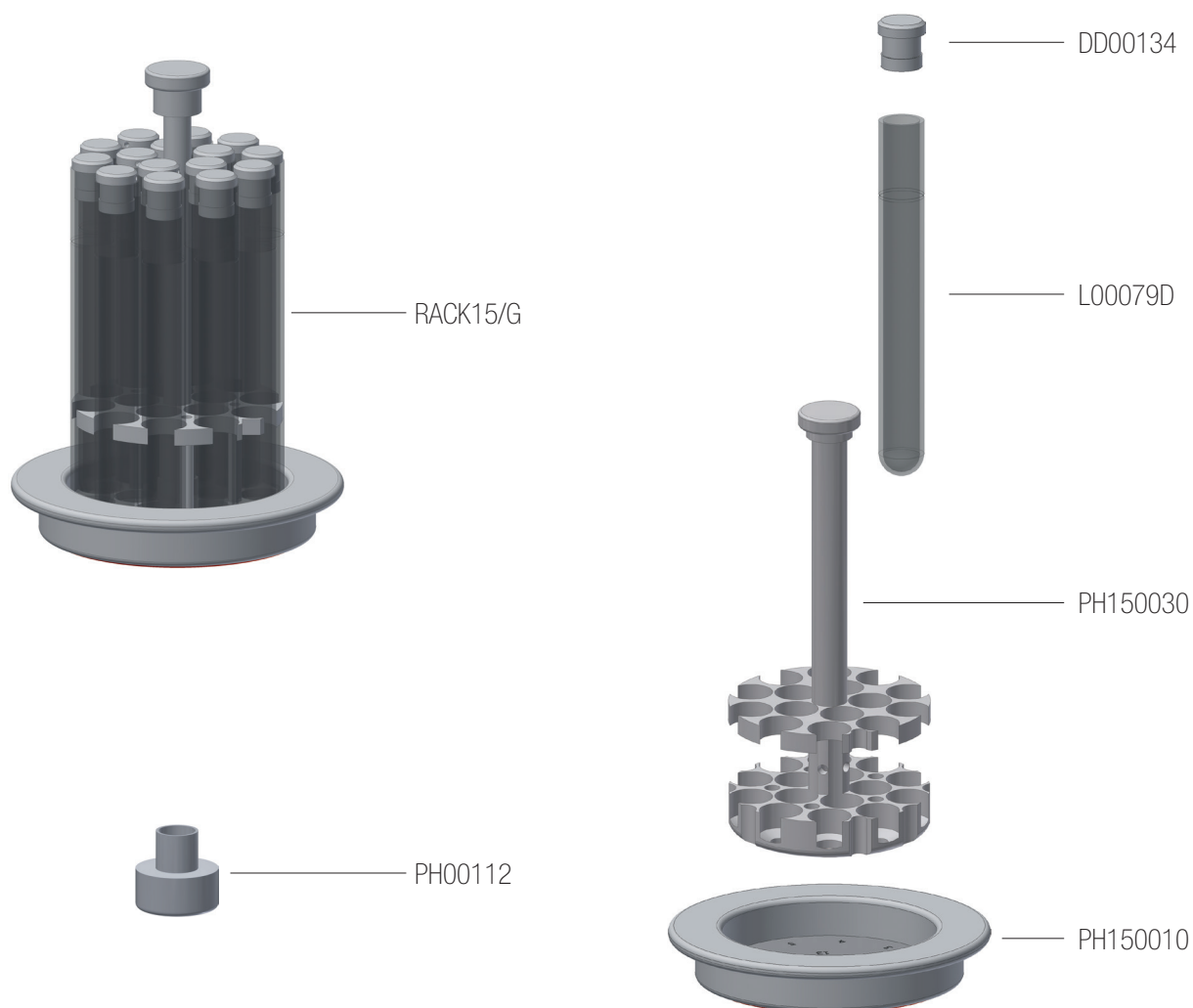
- RACK15/G 
- RACK15/Q 
- RACK15/T 

P/N	Description
RACK15/G 	15 position rack with GLASS vials and caps
RACK15/Q 	15 position rack with QUARTZ vials and caps
RACK15/T 	15 position rack with TFM vials and caps

 *Include subparts*

# RACK15/G

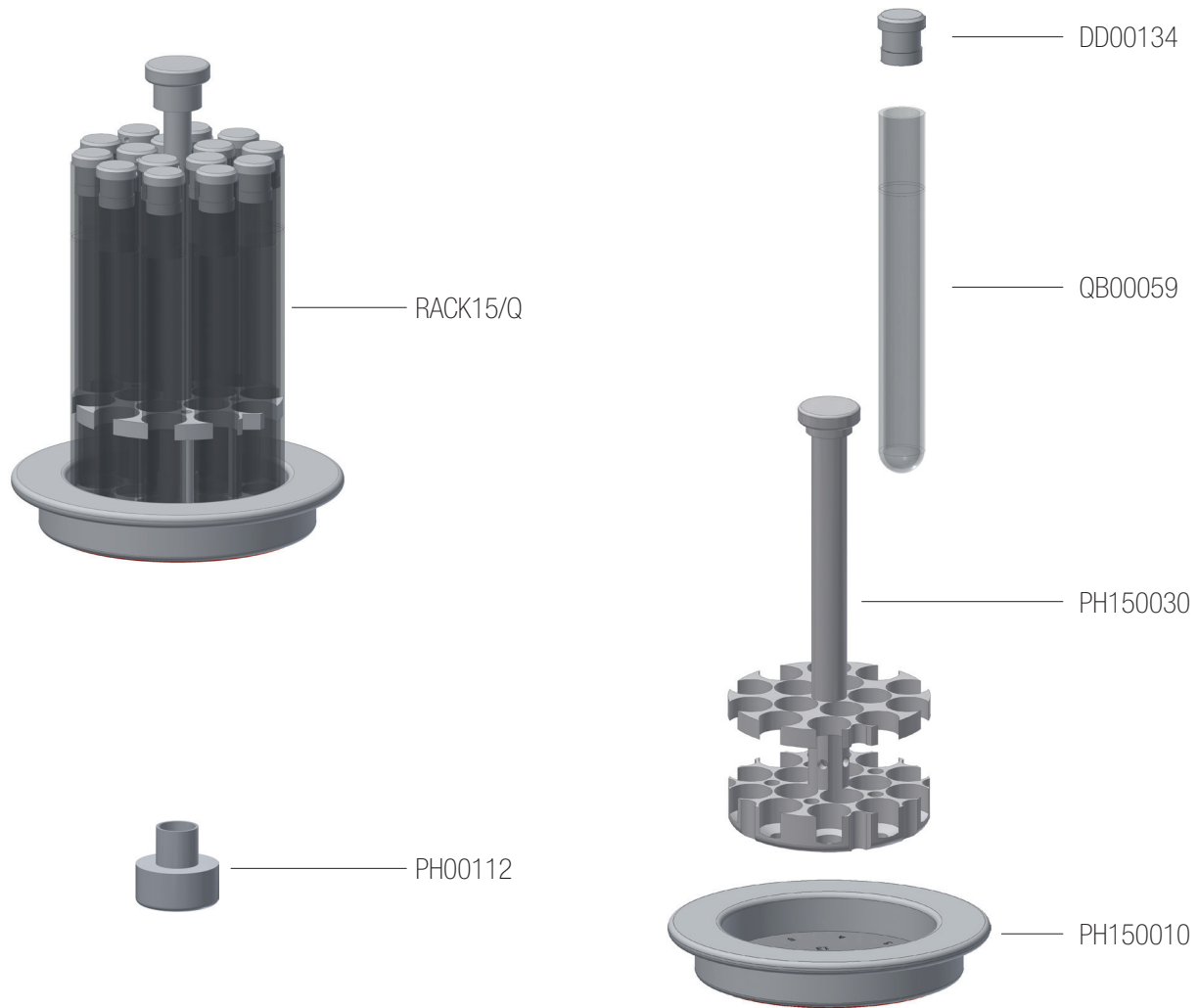
15 position rack with GLASS vials and caps



P/N	Description
RACK15/G	15 position rack with GLASS vials and caps
PH00112	Weighing adapter
DD00134	PTFE cap for vial Ø 16 mm with internal Ø 13 mm
L00079D	Glass vials (disposable) set of 1000 pieces (Ø 16 mm x 125mm)
PH150030	Sample rack 15/16
PH150010	Rack bottom plate with 15 numbered positions

# RACK15/Q

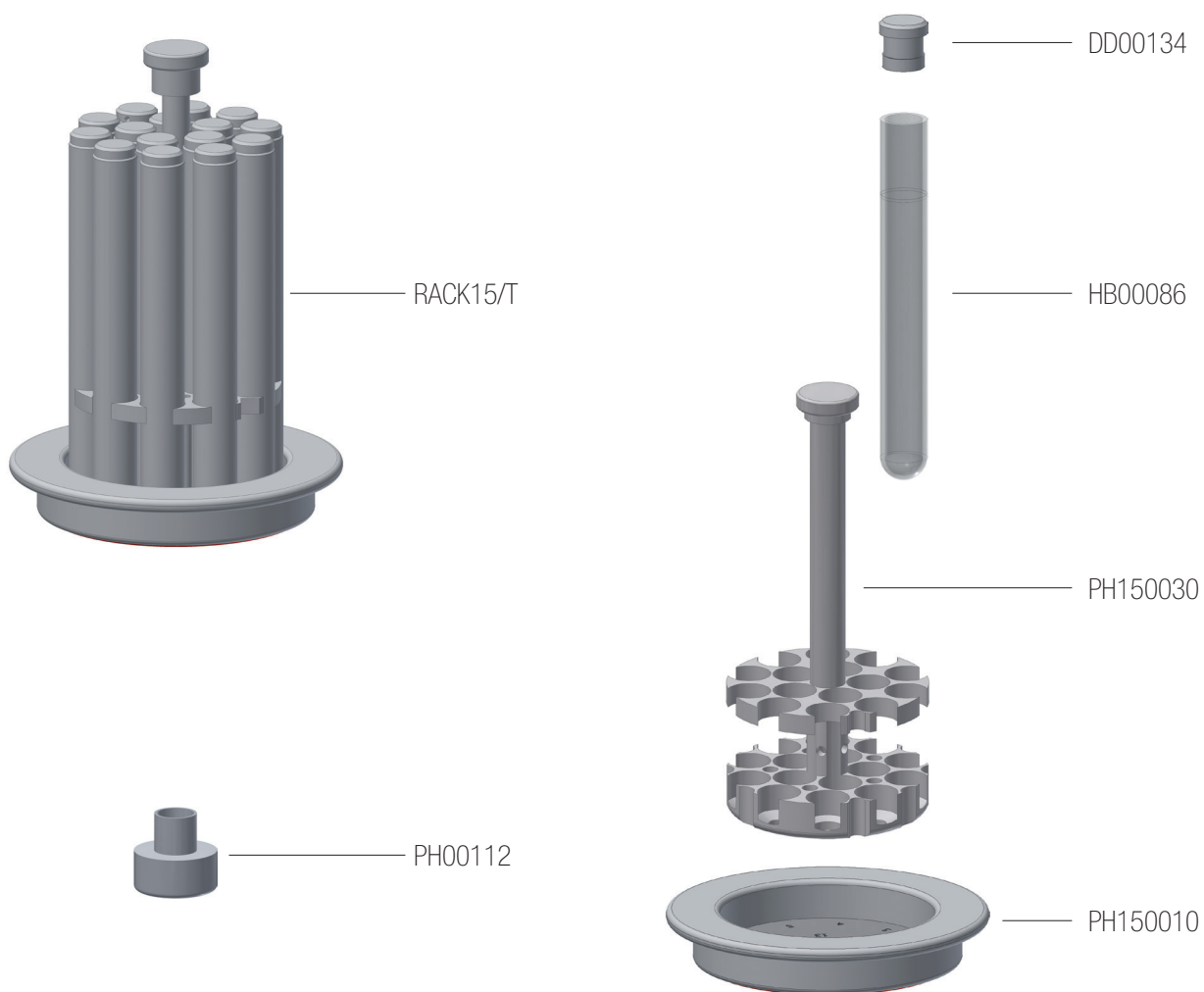
15 position rack with QUARTZ vials and caps



P/N	Description
RACK15/Q	15 position rack with QUARTZ vials and caps
PH00112	Weighing adapter
DD00134	PTFE cap for vial Ø 16 mm with internal Ø 13 mm
QB00059	Quartz vial 16/130 (Ø 16 mm/13,6 mm x 130mm) ca. 15 ml
PH150030	Sample rack 15/16
PH150010	Rack bottom plate with 15 numbered positions

# RACK15/T

15 position rack with TFM vials and caps



P/N	Description
RACK15/T	15 position rack with TFM vials and caps
PH00112	Weighing adapter
DD00134	PTFE cap for vial Ø 16 mm with internal Ø 13 mm
HB00086	PTFE vial 16/130 (Ø 16 mm/ 13 mm x 130mm) ca. 15 ml
PH150030	Sample rack 15/16
PH150010	Rack bottom plate with 15 numbered positions

# ultraWAVE 1, 2 and 2 eco 19 Position Racks

The ultraWAVE 1, 2 and 2 eco rack accommodates vials of different materials such as PTFE/TFM, quartz or disposable glass, and all are fitted with loose TFM caps to ensure pressure equalization. The Numbered rack tray provides the user with an easy visual indication of the vial number. Different vials material can be used along the same run.

## | SAMPLE TYPE

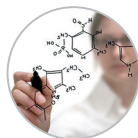
---



Biological



Food



Research

## | SAMPLE AMOUNT

---



Small



Medium



Large



Extra Large

## | RACKS MATERIAL

---



Glass

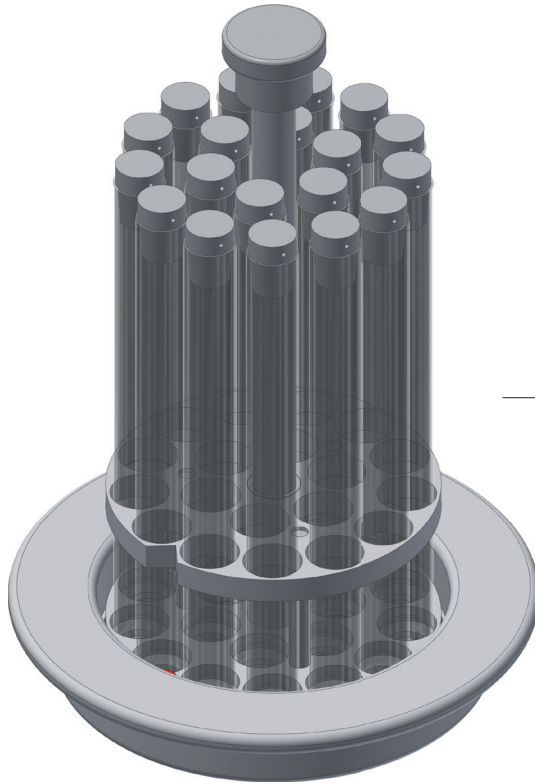





PTFE/TFM






Quartz

# ultraWAVE 1, 2 and 2 eco 19 Position Racks



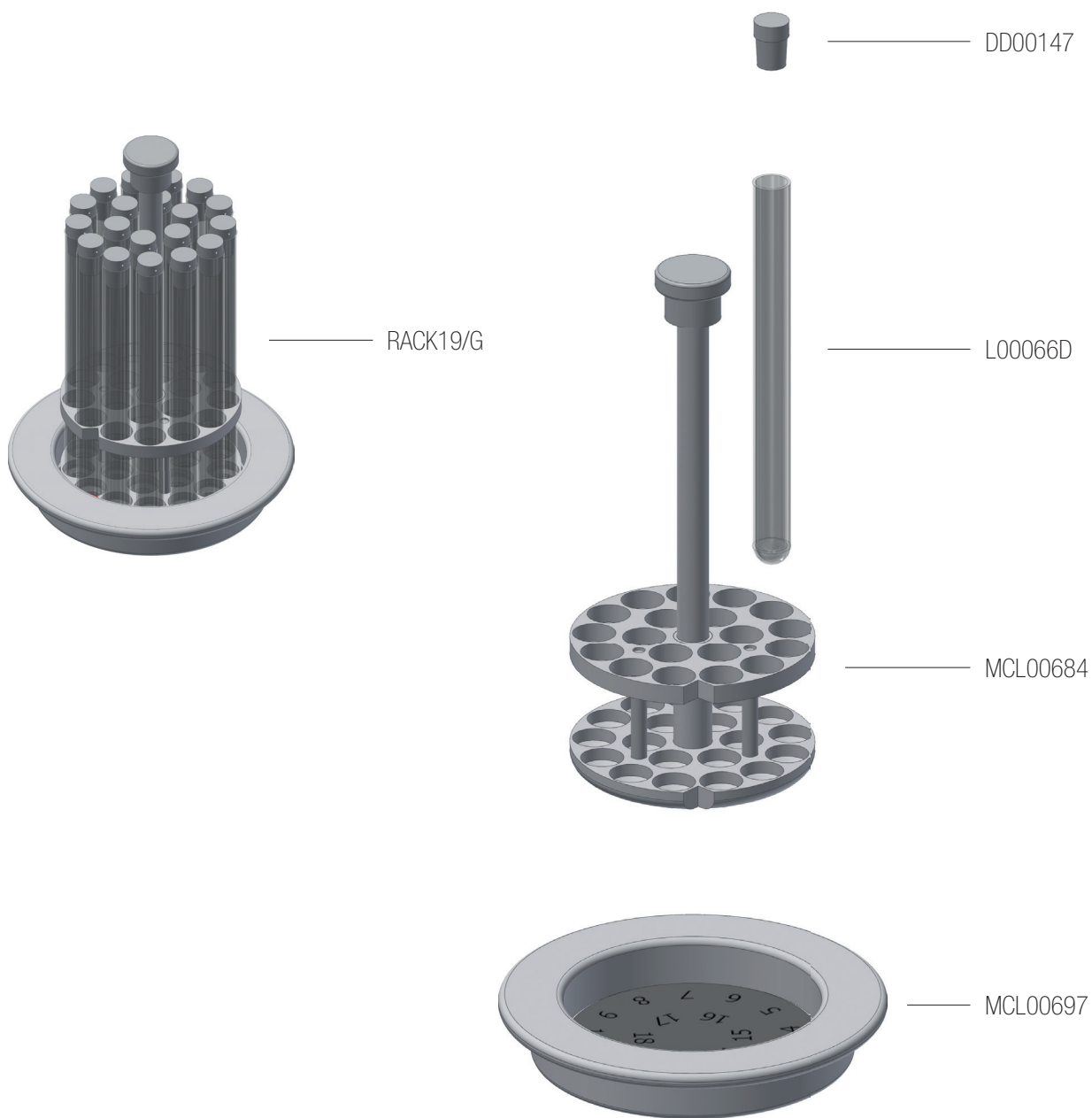
- RACK19/G 
- RACK19/Q 
- RACK19/T 

P/N	Description
RACK19/G 	19 position rack with GLASS vials and caps
RACK19/Q 	19 position rack with QUARTZ vials and caps
RACK19/T 	19 position rack with TFM vials and caps

 *Include subparts*

# RACK19/G

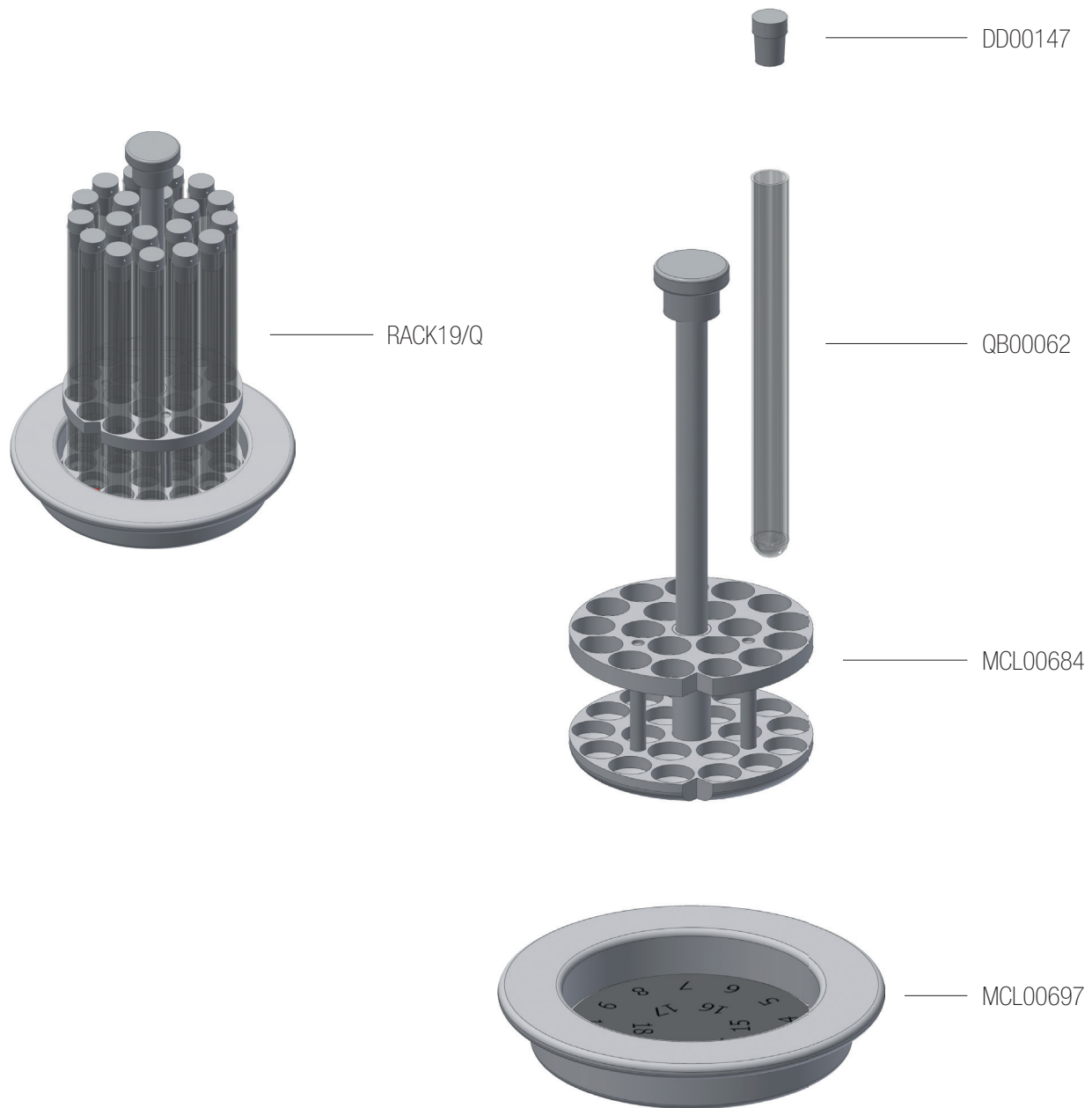
19 position rack with GLASS vials and caps



P/N	Description
MCL00684	Sample rack 19/12
MCL00697	Rack bottom plate with 19 numbered positions
DD00147	PTFE cap for vial Ø 12 mm
L00066D	Glass vials (disposable) set of 250 pieces (Ø 12 mm x 100 mm) ca. 10 ml

# RACK19/Q

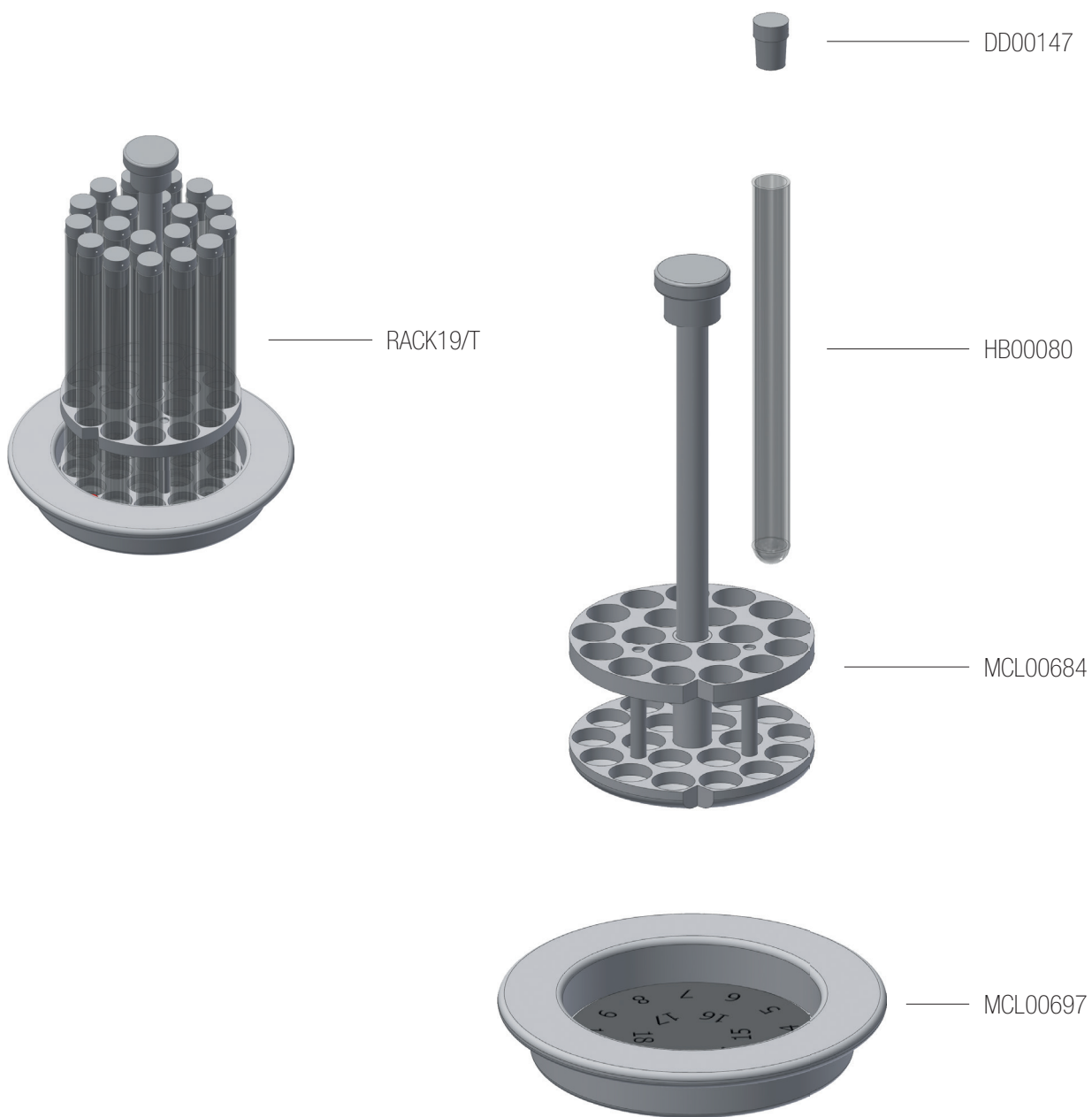
19 position rack with QUARTZ vials and caps



P/N	Description
MCL00684	Sample rack 19/12
MCL00697	Rack bottom plate with 19 numbered positions
DD00147	PTFE cap for vial Ø 12 mm
QB00062	Quartz vial 12/130 (Ø 12 mm x 130mm) ca. 10 ml

# RACK19/T

19 position rack with TFM vials and caps



P/N	Description
MCL00684	Sample rack 19/12
MCL00697	Rack bottom plate with 19 numbered positions
DD00147	PTFE cap for vial Ø 12 mm
HB00080	PPTFE vial 12/100 (Ø 12 mm x 100mm) ca. 7 ml

# ultraWAVE 1, 2 and 2 eco 22 Position Racks

The ultraWAVE 1, 2 and 2 eco rack accommodates vials of different materials such as PTFE/TFM, quartz or disposable glass, and all are fitted with loose TFM caps to ensure pressure equalization. The Numbered rack tray provides the user with an easy visual indication of the vial number. Different vials material can be used along the same run.

## | SAMPLE TYPE

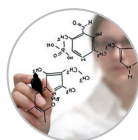
---



Biological



Food



Research

## | SAMPLE AMOUNT

---



Small



Medium



Large



Extra Large

## | RACKS MATERIAL

---



Glass

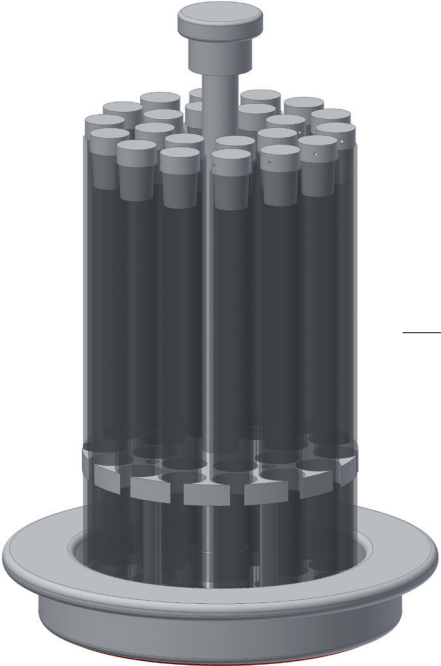


PTFE/TFM






Quartz

# ultraWAVE 1, 2 and 2 eco 22 Position Racks



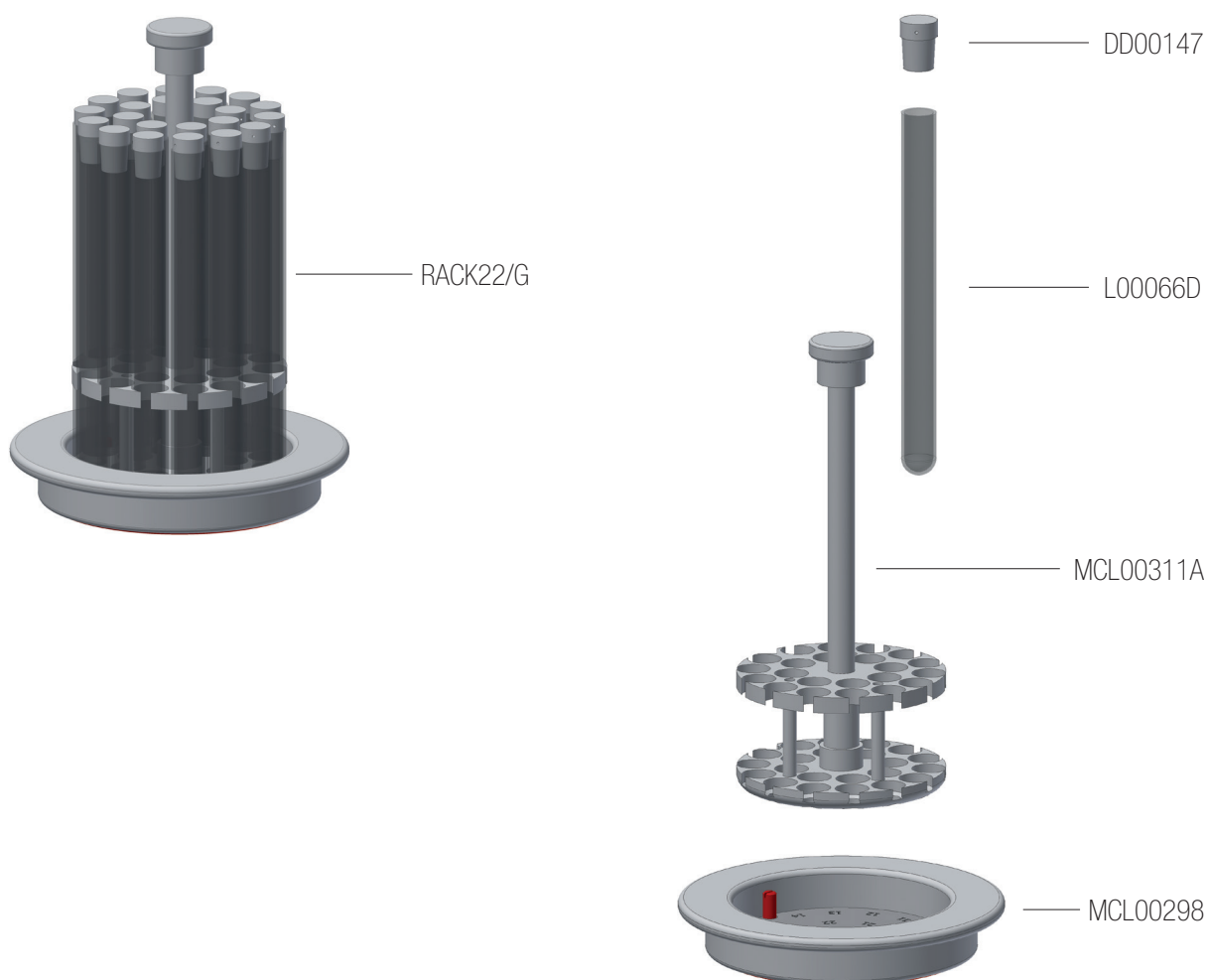
- RACK22/G 
- RACK22/Q 
- RACK22/T 

P/N	Description
RACK22/G 	22 position rack with GLASS vials and caps
RACK22/Q 	22 position rack with QUARTZ vials and caps
RACK22/T 	22 position rack with TFM vials and caps

 *Include subparts*

# RACK22/G

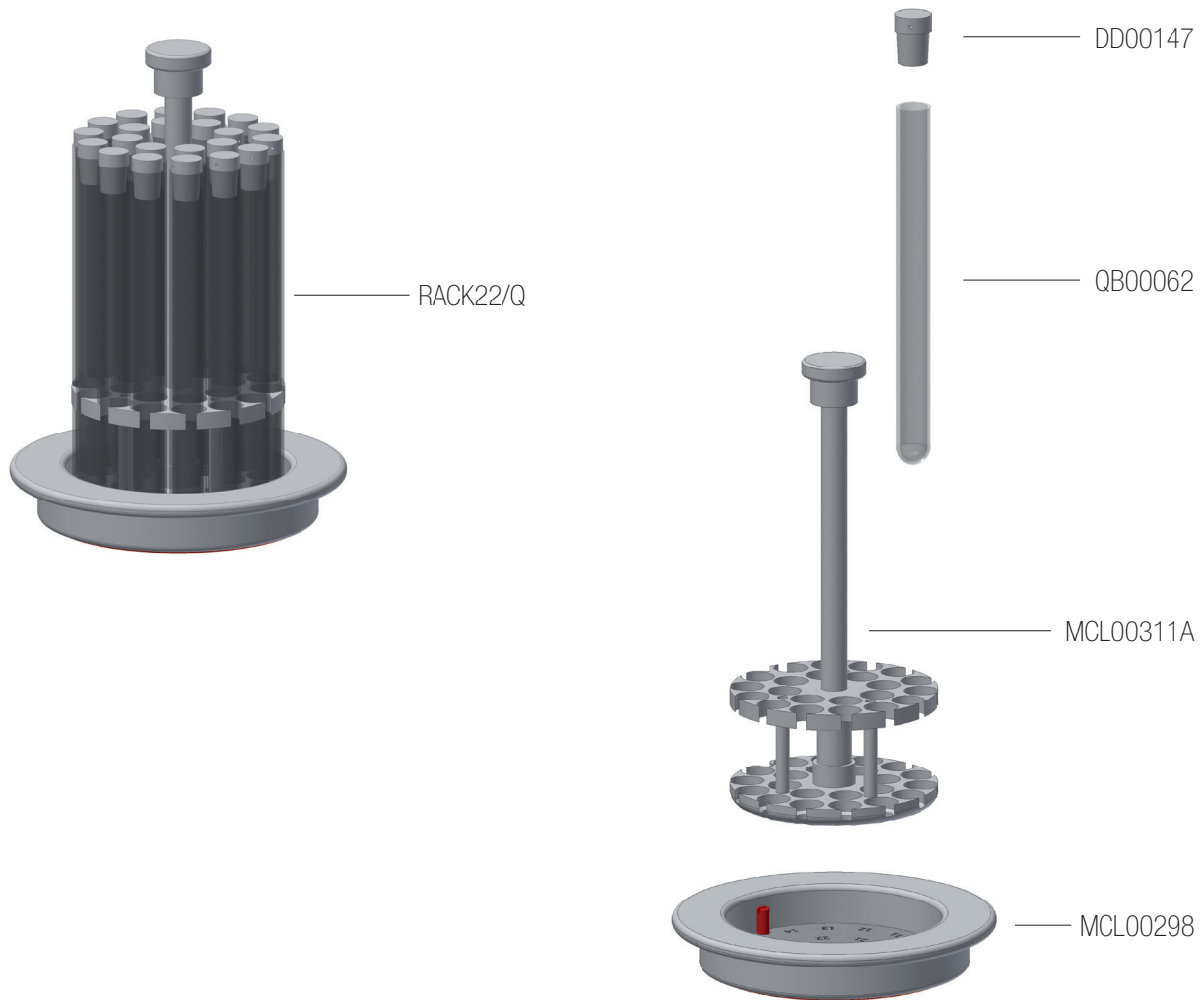
22 position rack with GLASS vials and caps



P/N	Description
RACK22/G	22 position rack with GLASS vials and caps
DD00147	PTFE cap for vial Ø 12 mm
L00066D	Glass vials (disposable) set of 250 pieces (Ø 12 mm x 100 mm) ca. 8 ml
MCL00311A	Sample rack 22/12
MCL00298	Rack bottom plate with 22 numbered positions

# RACK22/Q

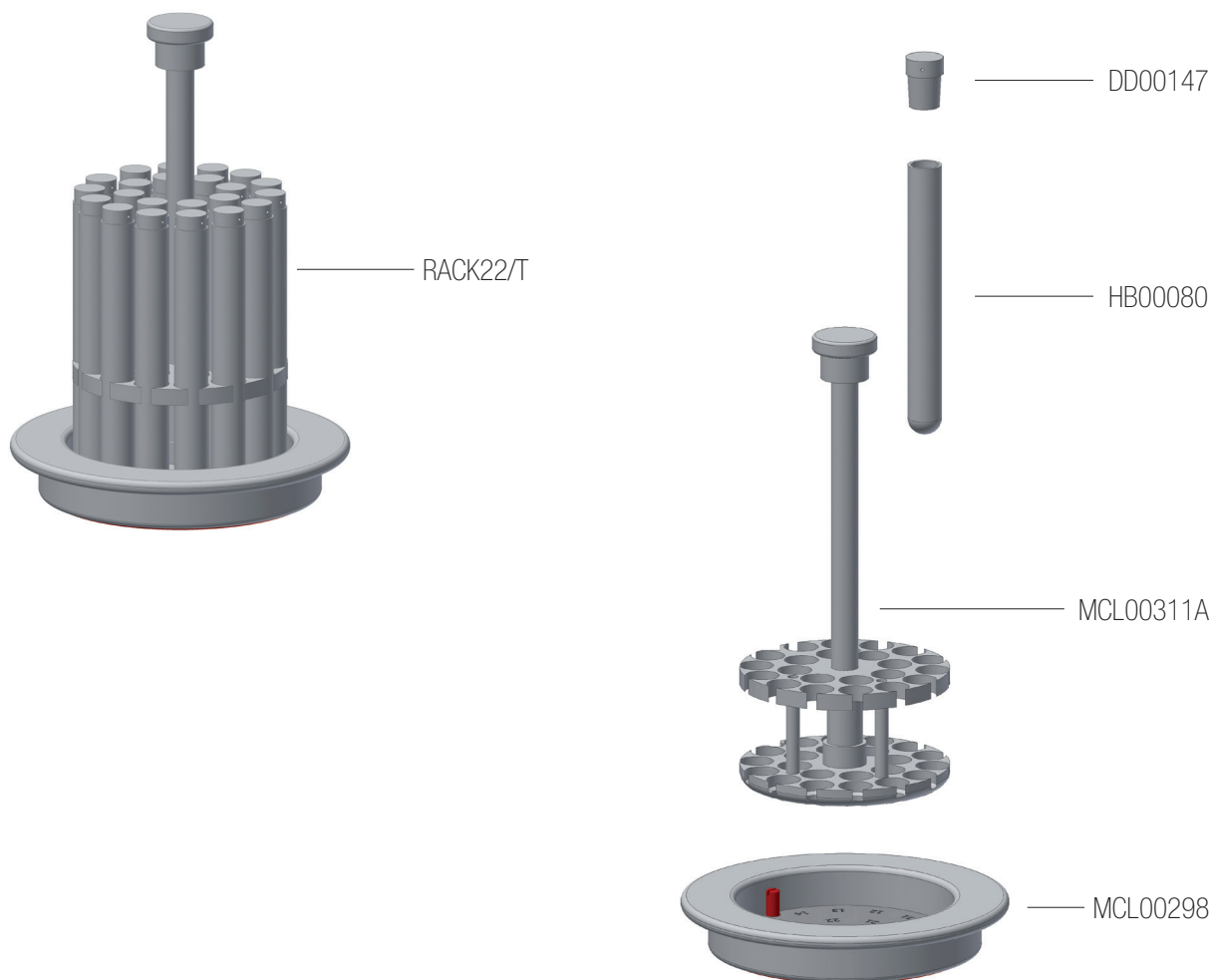
22 position rack with QUARTZ vials and caps



P/N	Description
RACK22/Q	22 position rack with QUARTZ vials and caps
DD00147	PTFE cap for vial Ø 12 mm
QB00062	Quartz vial 12/130 (Ø 12 mm x 130mm) ca. 10 ml
MCL00311A	Sample rack 22/12
MCL00298	Rack bottom plate with 22 numbered positions

# RACK22/T

22 position rack with TFM vials and caps



P/N	Description
RACK22/T	22 position rack with TFM vials and caps
DD00147	PTFE cap for vial Ø 12 mm
HB00080	PTFE vial 12/100 (Ø 12 mm x 100mm) ca. 7 ml
MCL00311A	Sample rack 22/12
MCL00298	Rack bottom plate with 22 numbered positions

# ultraWAVE 1, 2 and 2 eco 26 Position Racks

The ultraWAVE 1, 2 and 2 eco rack accommodates vials of different materials such as PTFE/TFM, quartz or disposable glass, and all are fitted with loose TFM caps to ensure pressure equalization. The Numbered rack tray provides the user with an easy visual indication of the vial number. Different vials material can be used along the same run.

## | SAMPLE TYPE

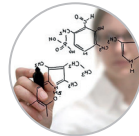
---



Biological



Food



Research

## | SAMPLE AMOUNT

---



Small



Medium



Large



Extra Large

## | RACKS MATERIAL

---



Glass

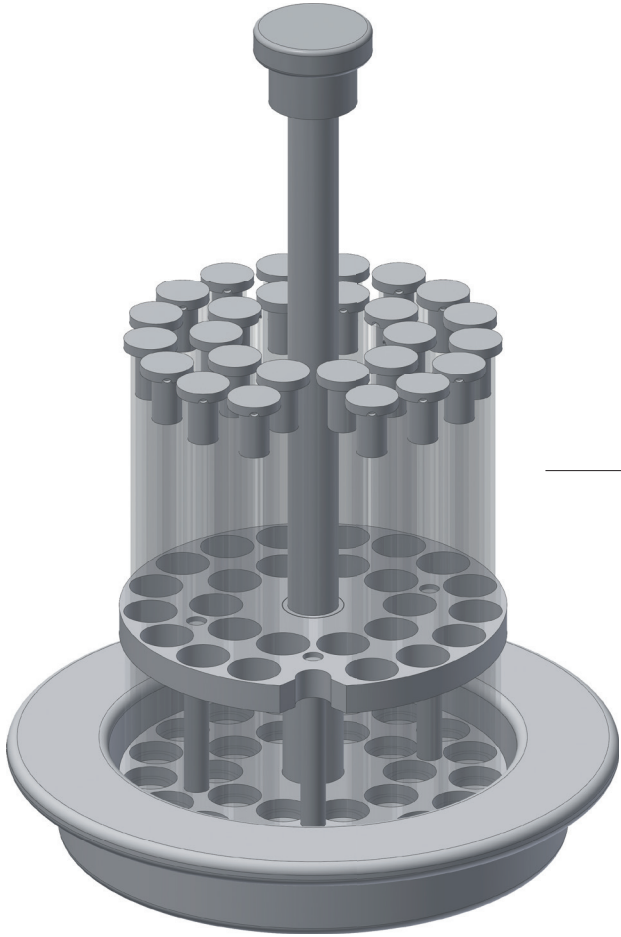


PTFE/TFM



Quartz

# ultraWAVE 1, 2 and 2 eco 26 Position Racks



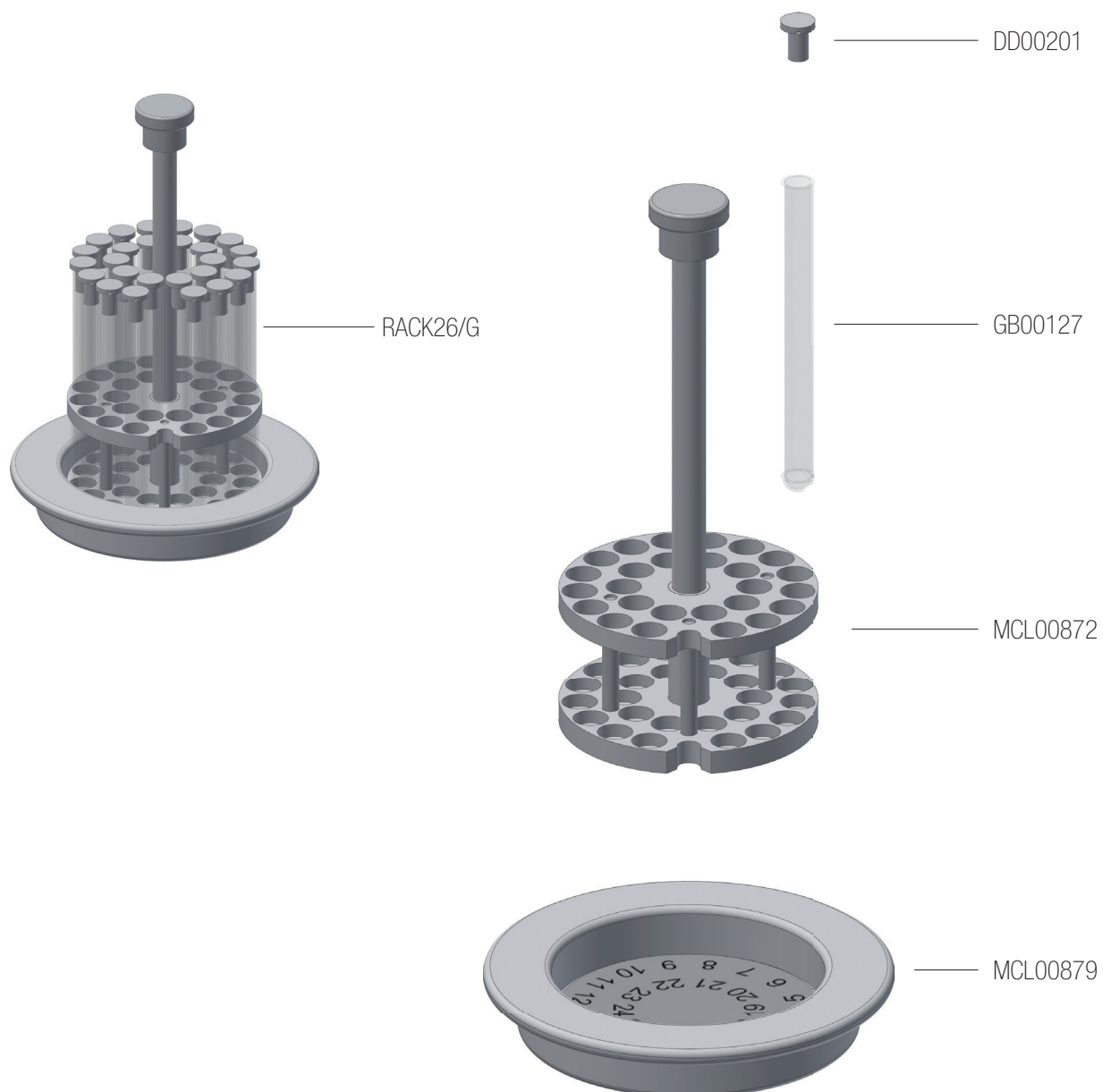
———— RACK26/G +

P/N	Description
RACK26/G +	26 position rack with GLASS vials and caps

+ *Include subparts*

# RACK26/G

26 position rack with GLASS vials and caps



P/N	Description
MCL00872	Sample rack 26/10
MCL00879	Rack bottom plate with 26 numbered positions
DD00201	PTFE cap for vial Ø 10 mm
GB00127	Glass vials (disposable) (Ø 10 mm/ 8 mm x 100 mm) ca. 5 ml

# ultraWAVE 1, 2 and 2 eco Racks for Mixed Vials

The ultraWAVE 1, 2 and 2 eco racks for mixed vials accommodates vials of different materials such as quartz or disposable glass, and all are fitted with loose TFM caps to ensure pressure equalization. The mixed racks allow to process different sample amounts and sample types along the same run. The Numbered rack tray provides the user with an easy visual indication of the vial number. Different vials material can be used along the same run.

## | SAMPLE TYPE



Biological



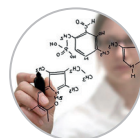
Environmental



Food



Pharmaceutical



Research

## | SAMPLE AMOUNT



Small



Medium



Large



Extra Large

## | RACKS MATERIAL



Glass



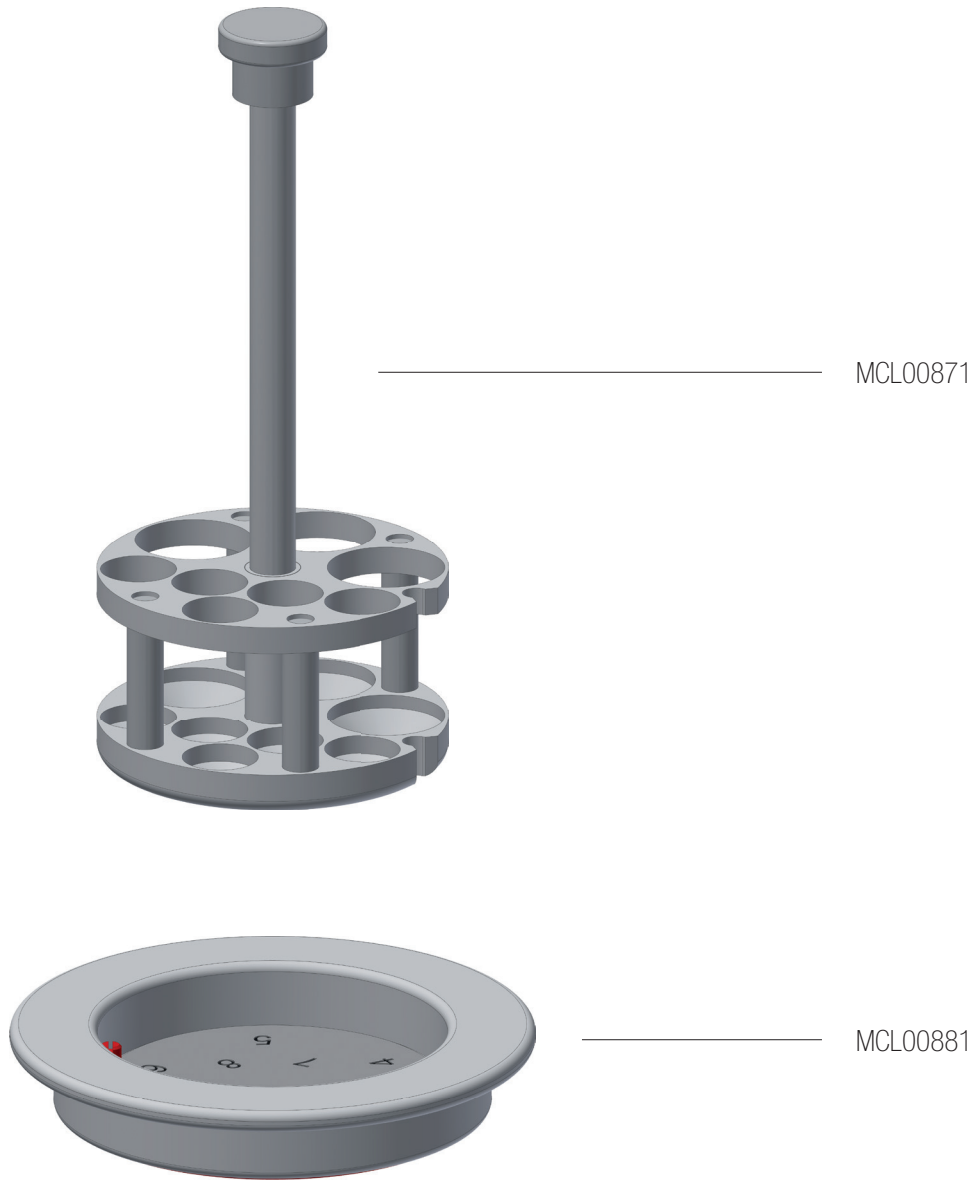
PTFE/TFM



Quartz

# ultraWAVE 1, 2 and 2 eco

## 8-Position Rack for Mixed Vials



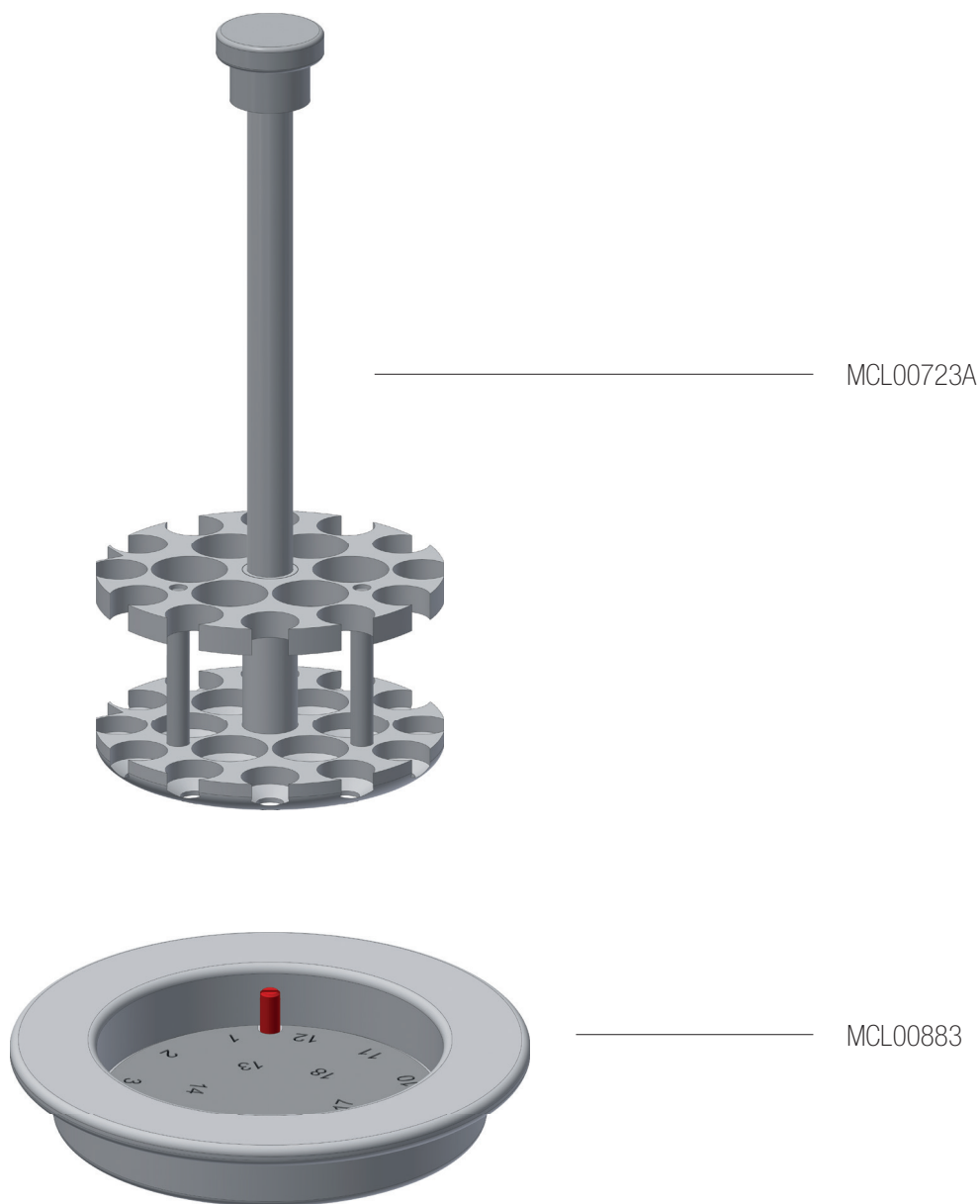
### 8 POSITION MIXED RACK (3 vials Ø 25 mm + 5 vials Ø 16 mm)

Suitable for n.3 vials (any material) of the 5 position rack and n. 5 vials (any material) of the 15 position rack.

P/N	Description
MCL00871	Sample rack 3/25 mm - 5/16 mm
MCL00881	Rack bottom plate with 3 + 5 numbered positions

# ultraWAVE 1, 2 and 2 eco

## 18-Position Rack for Mixed Vials



### 18 POSITION MIXED RACK (6 vials Ø 16 mm + 12 vials Ø 12 mm)

Suitable for n.6 vials (any material) of the 15 position rack and n. 12 vials (any material) of the 22 position rack.

P/N	Description
MCL00723A	Sample rack 6/16 mm - 12/12 mm
MCL00883	Rack bottom plate with 6 + 12 numbered positions

# ultraWAVE 1, 2 and 2 eco

## CONSUMABLES



OR0206



OR0165



OR0170



OR0117



HB00070B



MCL0435\*



010128\*\*

### UW-KIT ultraWAVE 1, 2 and 2 eco consumables

P/N	Description
OR0206	O-ring viton 86*2,2
OR0165	Viton o-ring for PTFE cover, 78x2mm
OR0170	Viton o-ring for PTFE cover, 3.5x1.5mm
OR0117	O-Ring for rack holder and burst disk, 14x2mm, viton
HB00070B	TFM Vessel 900ml volume
MCL0435	TFM cover (for ultraWAVE 1 and ultraWAVE 2)*
010128	TFM cover (for ultraWAVE 2 eco)**



MCL0122



MCL0699A



MCL10111A\*



MCL0646A\*\*

**UW-KIT** ultraWAVE 1, 2 and 2 eco consumables

P/N	Description
MCL0122	PEEK ring for locking spindle Ø18/9.5mm
MCL0699A	PTFE basic disk Ø 75X1mm (set of 10 pieces)
MCL10111A	Holder for rack (for ultraWAVE 1 and ultraWAVE 2)*
MCL0646A	Holder for rack (for ultraWAVE 2 eco)**

# ultraWAVE 3 7 Position Racks

The ultraWAVE 3 rack accommodates vials of different materials such as PTFE/TFM, quartz or disposable glass, and all are fitted with loose TFM caps to ensure pressure equalization. The Numbered rack tray provides the user with an easy visual indication of the vial number. Different vials material can be used along the same run.

## | SAMPLE TYPE

---



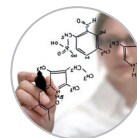
Food



Geochemistry



Metals



Research

## | SAMPLE AMOUNT

---



Small



Medium



Large



Extra Large

## | RACKS MATERIAL

---



Glass

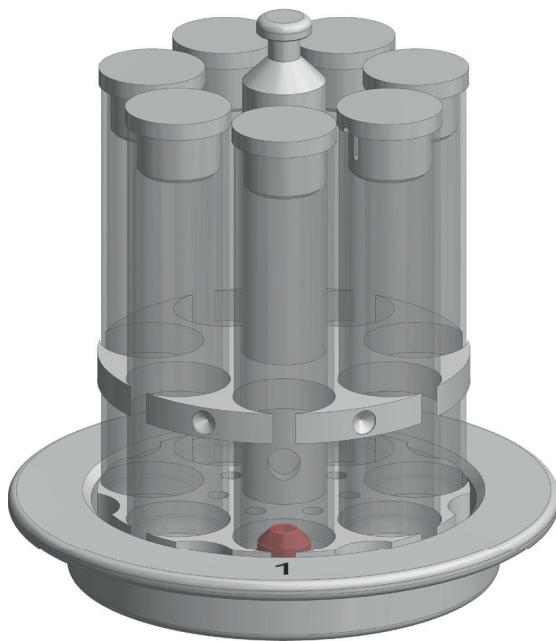


PTFE/TFM



Quartz

# ultraWAVE 3 7 Position Racks



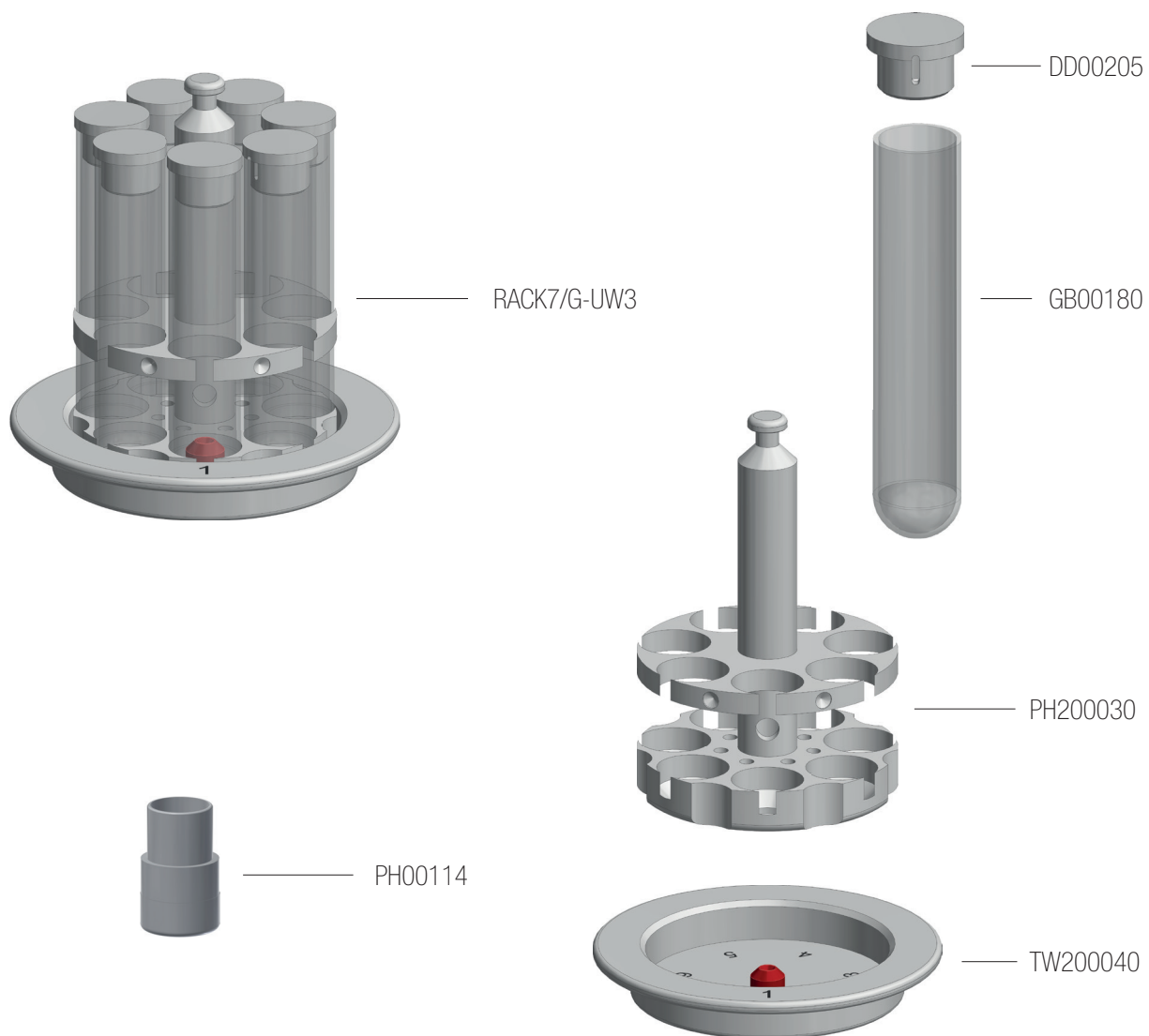
- RACK7/G-UW3 +
- RACK7/Q-UW3 +
- RACK7/T-UW3 +

P/N	Description
RACK7/G-UW3 +	7 positions rack with GLASS vials and caps
RACK7/Q-UW3 +	7 positions rack with QUARTZ vials and caps
RACK7/T-UW3 +	7 positions rack with TFM vials and caps

+ *Include subparts*

## RACK7/G-UW3

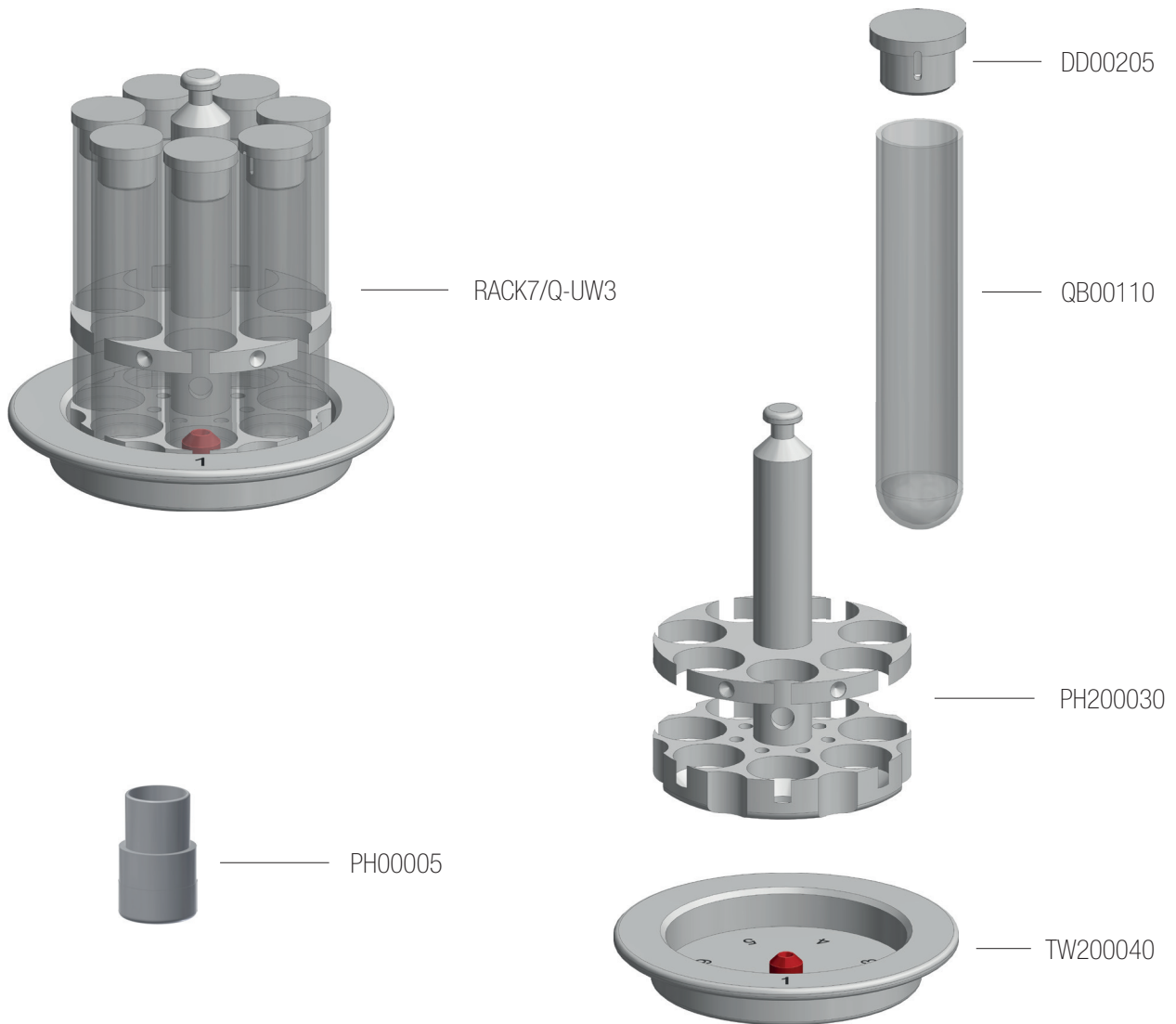
7 positions rack with GLASS vials and caps



P/N	Description
<b>RACK7/G-UW3</b>	7 positions rack with GLASS vials and caps
<b>PH00114</b>	Weighing adapter for vial Ø 24mm
<b>DD00205</b>	PTFE cap for vial Ø 25mm
<b>GB00180</b>	Glass vial 24/115 (Ø 24 mm/21,5 mm x 115 mm) ca. 40 ml
<b>PH200030</b>	Sample rack 7 positions Ø 24mm
<b>TW200040</b>	Rack bottom plate with 07 numbered positions

# RACK7/Q-UW3

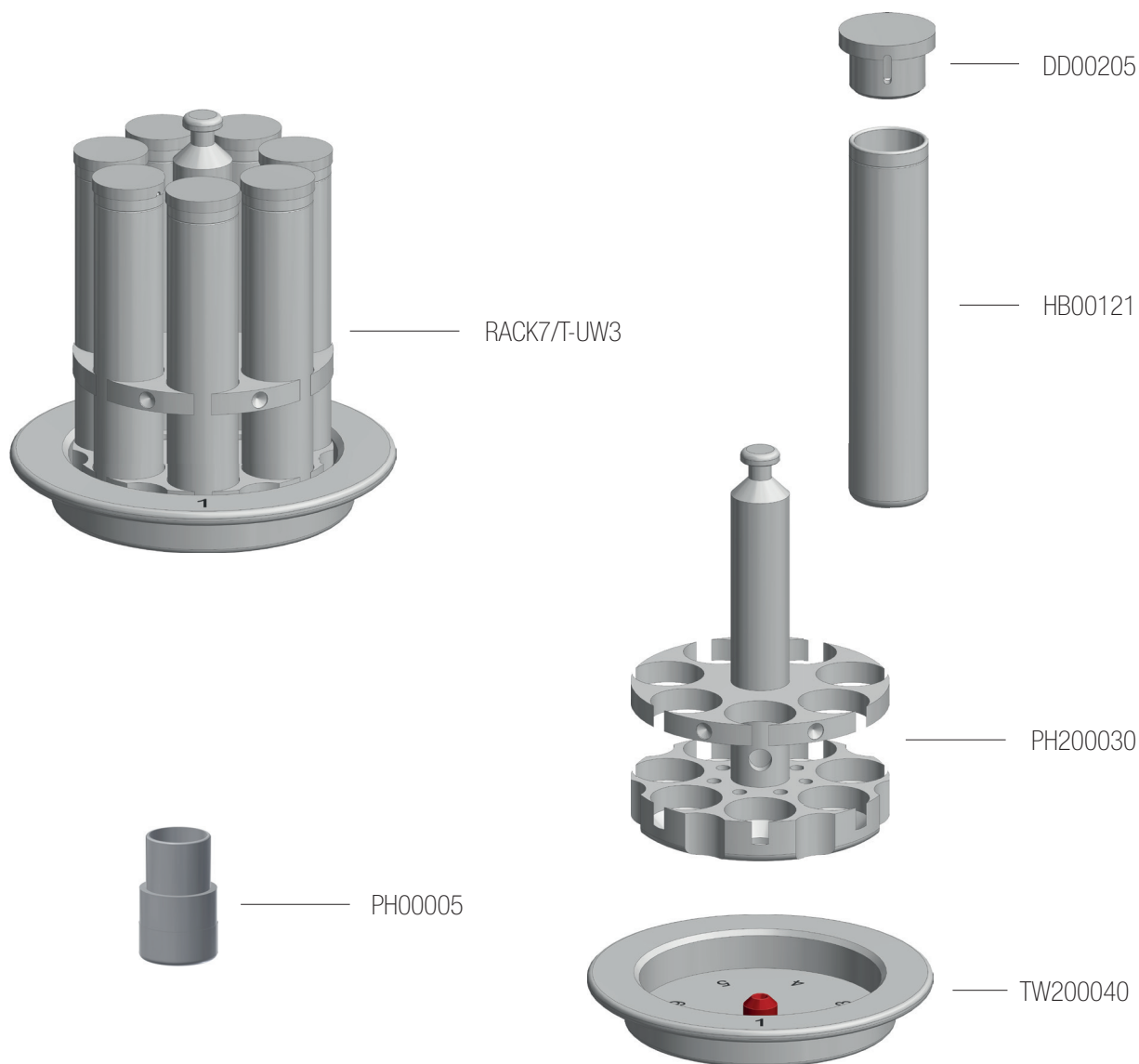
7 positions rack with QUARTZ vials and caps



P/N	Description
RACK7/Q-UW3	7 positions rack with QUARTZ vials and caps
PH00005	Weighing adapter
DD00205	PTFE cap for vial Ø 25mm
QB00110	Quartz vial 24/115 (Ø 24 mm/21 mm x 115 mm) ca. 38 ml
PH200030	Sample rack 7 positions Ø 24mm
TW200040	Rack bottom plate with 07 numbered positions

# RACK7/T-UW3

7 positions rack with TFM vials and caps



P/N	Description
RACK7/T-UW3	7 positions rack with TFM vials and caps
PH00005	Weighing adapter
DD00205	PTFE cap for vial Ø 25mm
HB00121	TFM vial 24/115 (Ø 24 mm/21 mm x 115 mm) ca. 38 ml
PH200030	Sample rack 7 positions Ø 24mm
TW200040	Rack bottom plate with 07 numbered positions

# ultraWAVE 3 20 Position Racks

The ultraWAVE 3 rack accommodates vials of different materials such as PTFE/TFM, quartz or disposable glass, and all are fitted with loose TFM caps to ensure pressure equalization. The Numbered rack tray provides the user with an easy visual indication of the vial number. Different vials material can be used along the same run.

## | SAMPLE TYPE



Biological



Environmental



Food



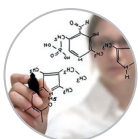
Geochemistry



Pharmaceuticals



Petrochemicals



Research

## | SAMPLE AMOUNT



Small



Medium



Large



Extra Large

## | RACKS MATERIAL



Glass

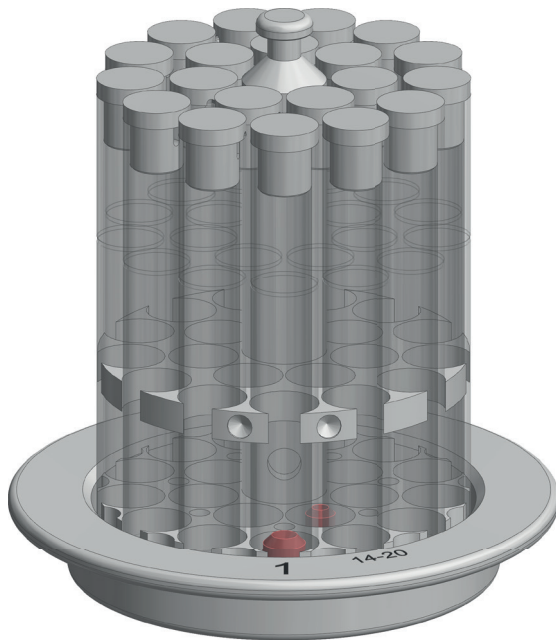


PTFE/TFM



Quartz

# ultraWAVE 3 20 Position Racks



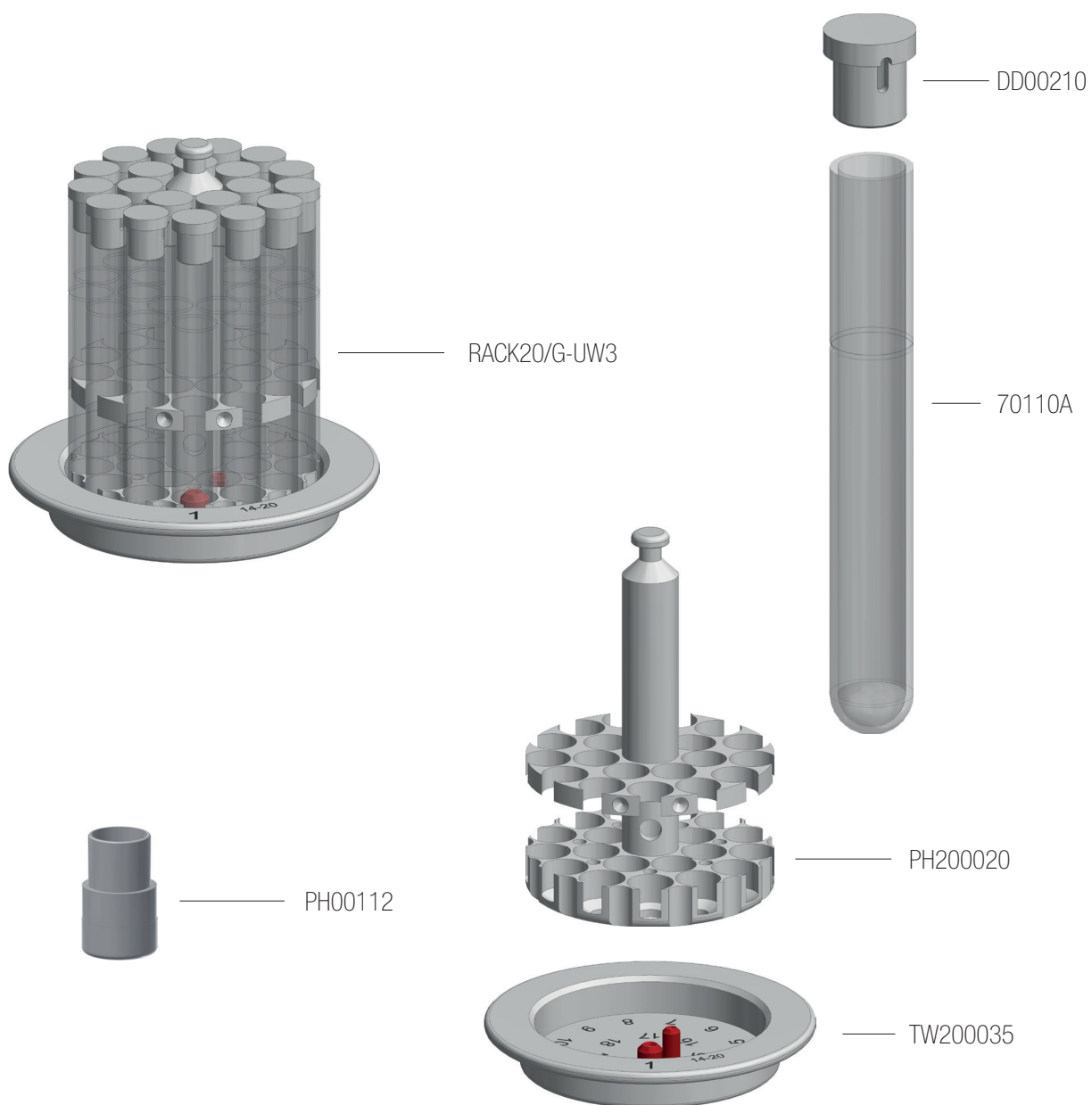
- RACK20/G-UW3 +
- RACK20/Q-UW3 +
- RACK20/T-UW3 +

P/N	Description
RACK20/G-UW3 +	20 positions rack with GLASS vials and caps
RACK20/Q-UW3 +	20 positions rack with QUARTZ vials and caps
RACK20/T-UW3 +	20 positions rack with TFM vials and caps

+ *Include subparts*

# RACK20/G-UW3

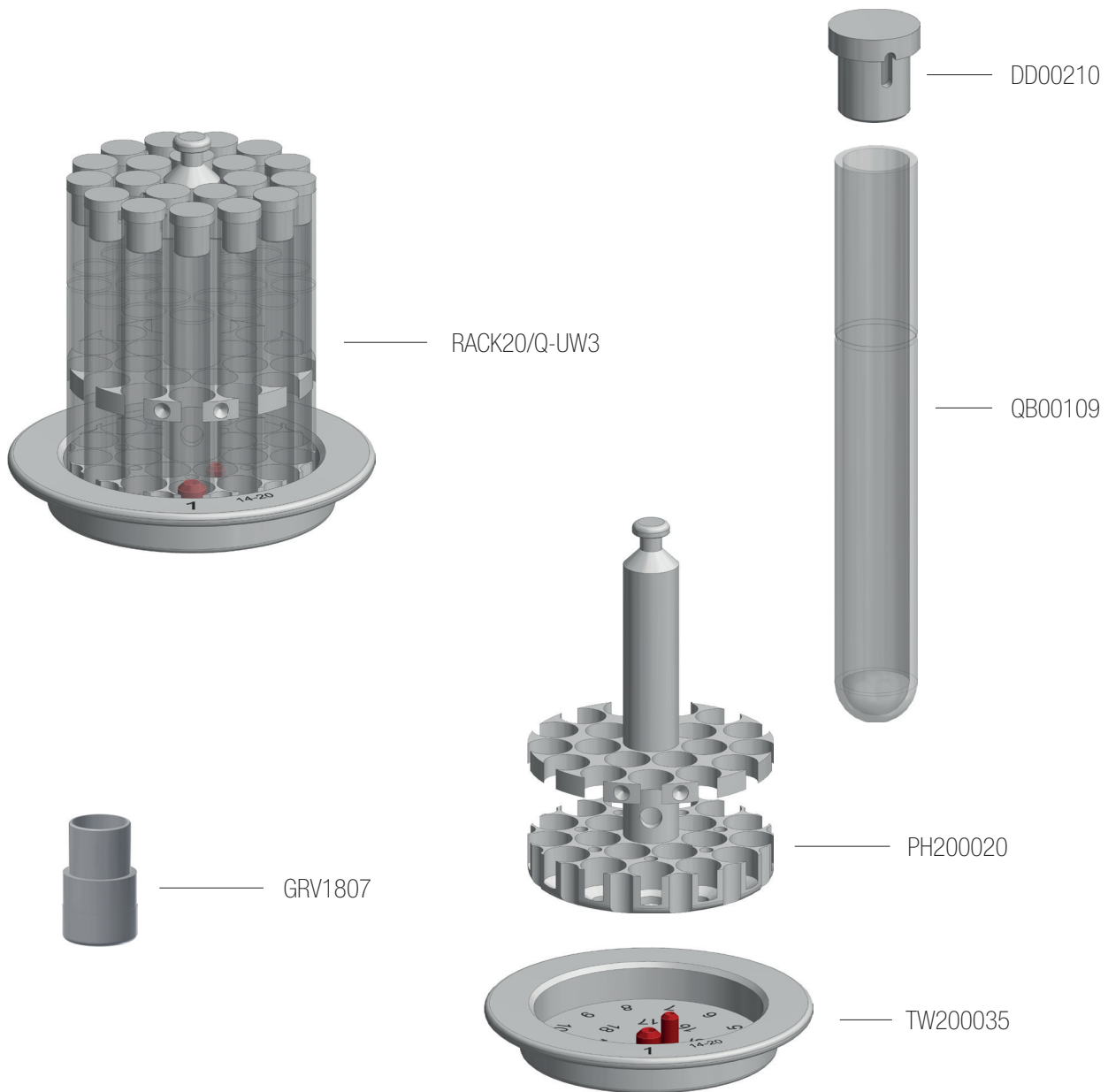
20 positions rack with GLASS vials and caps



P/N	Description
RACK20/G-UW3	20 positions rack with GLASS vials and caps
PH00112	Weighing adapter for vial Ø 16 mm
DD00210	PTFE cap for vial Ø 16 mm
70110A	Glass vials (disposable) set of 1000 pieces (Ø 16 mm x 100mm)
PH200020	Sample rack 20 positions Ø 16mm
TW200035	Rack bottom plate with 20 numbered positions

# RACK20/Q-UW3

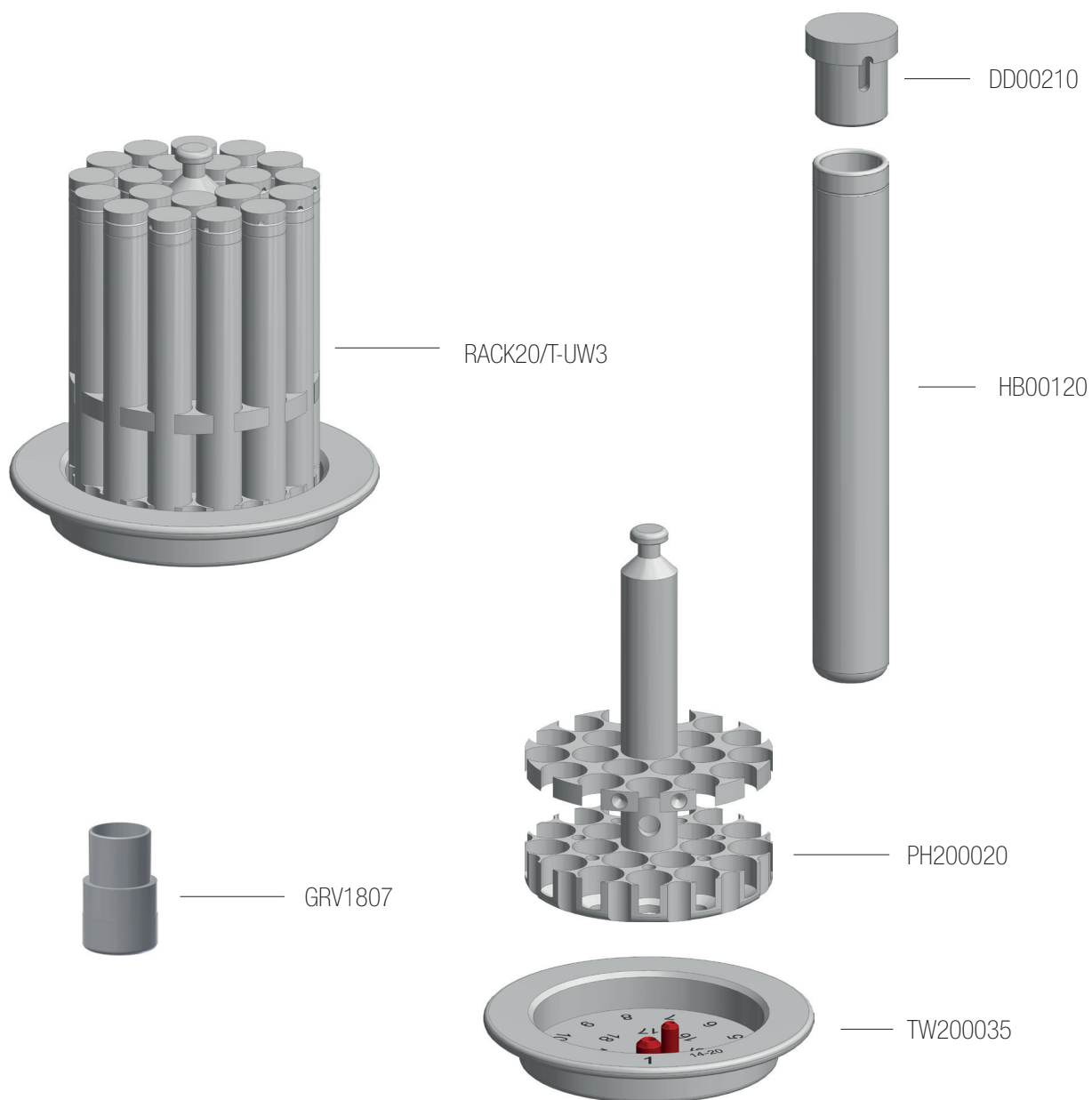
20 positions rack with QUARTZ vials and caps



P/N	Description
RACK20/Q-UW3	20 positions rack with QUARTZ vials and caps
GRV1807	Weighing adapter
DD00210	PTFE cap for vial Ø 16 mm
QB00109	Quartz vial 16/115 (Ø 16 mm/13 mm x 115 mm) ca. 15 ml
PH200020	Sample rack 20 positions Ø 16mm
TW200035	Rack bottom plate with 20 numbered positions

# RACK20/T-UW3

20 positions rack with TFM vials and caps



P/N	Description
<b>RACK20/T-UW3</b>	20 positions rack with TFM vials and caps
<b>GRV1807</b>	Weighing adapter
<b>DD00210</b>	PTFE cap for vial Ø 16 mm
<b>HB00120</b>	TFM vial 16/115 (Ø 16 mm/13 mm x 115 mm) ca. 15 ml
<b>PH200020</b>	Sample rack 20 positions Ø 16mm
<b>TW200035</b>	Rack bottom plate with 20 numbered positions

# ultraWAVE 3 27 Position Racks

The ultraWAVE 3 rack accommodates vials of different materials such as PTFE/TFM, quartz or disposable glass, and all are fitted with loose TFM caps to ensure pressure equalization. The Numbered rack tray provides the user with an easy visual indication of the vial number. Different vials material can be used along the same run.

## | SAMPLE TYPE

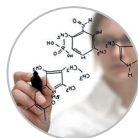
---



Biological



Food



Research

## | SAMPLE AMOUNT

---



Small



Medium



Large



Extra Large

## | RACKS MATERIAL

---



Glass

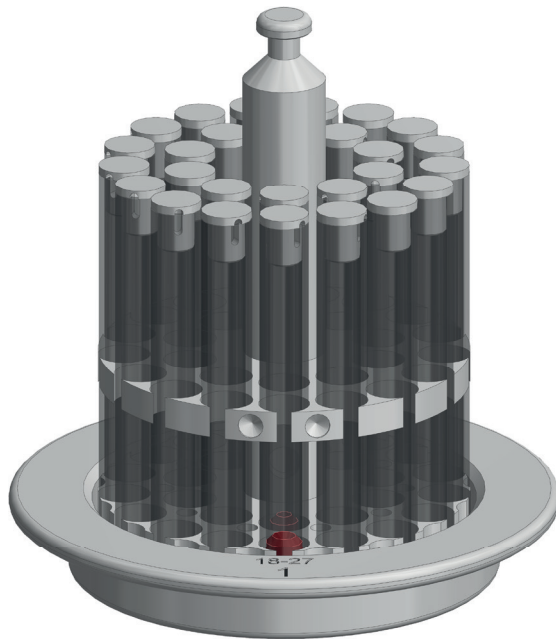


PTFE/TFM



Quartz

# ultraWAVE 3 27 Position Racks



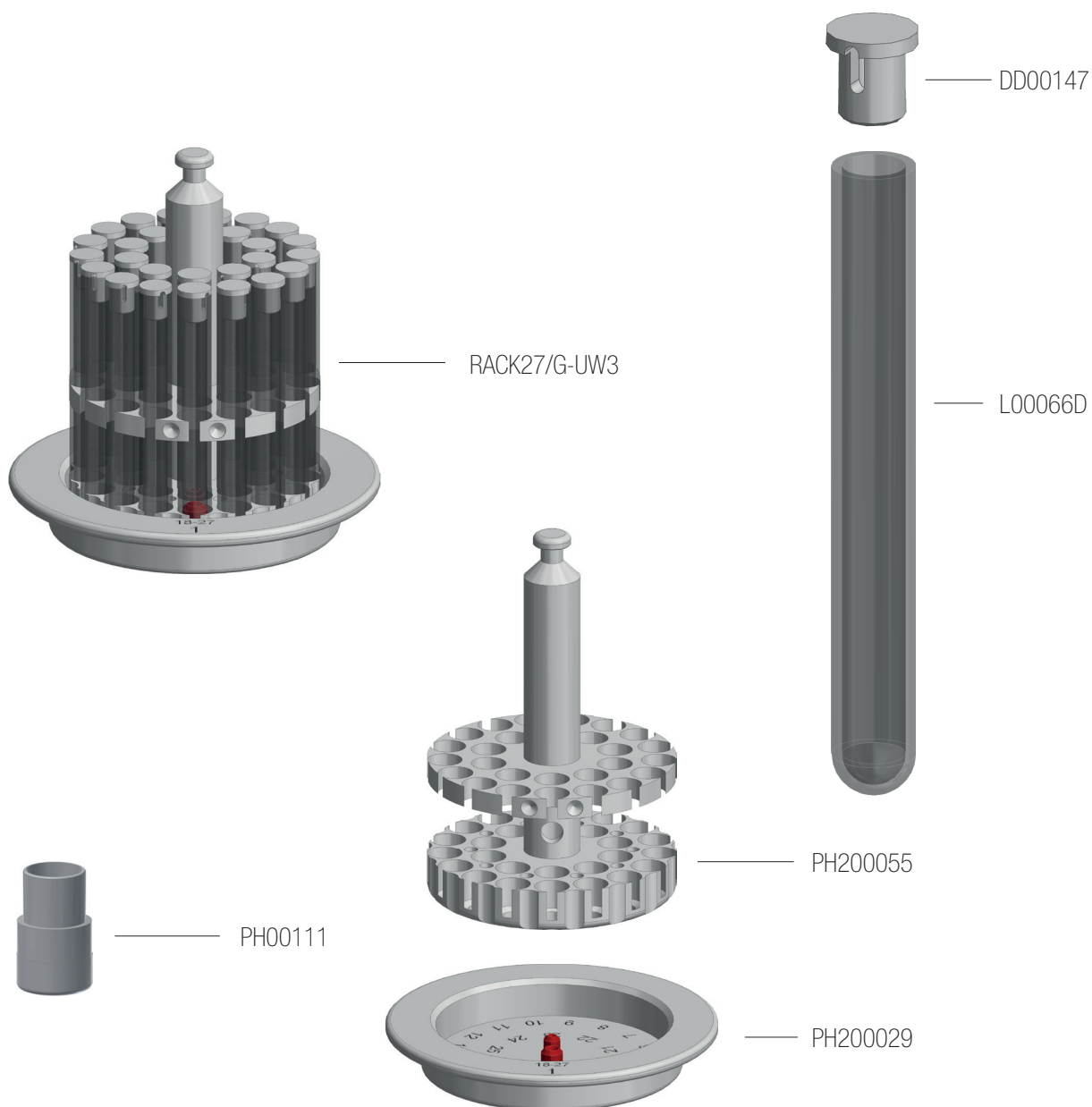
- RACK27/G-UW3 +
- RACK27/Q-UW3 +
- RACK27/T-UW3 +

P/N	Description
RACK27/G-UW3 +	27 positions rack with GLASS vials and caps
RACK27/Q-UW3 +	27 positions rack with QUARTZ vials and caps
RACK27/T-UW3 +	27 positions rack with TFM vials and caps

+ *Include subparts*

# RACK27/G-UW3

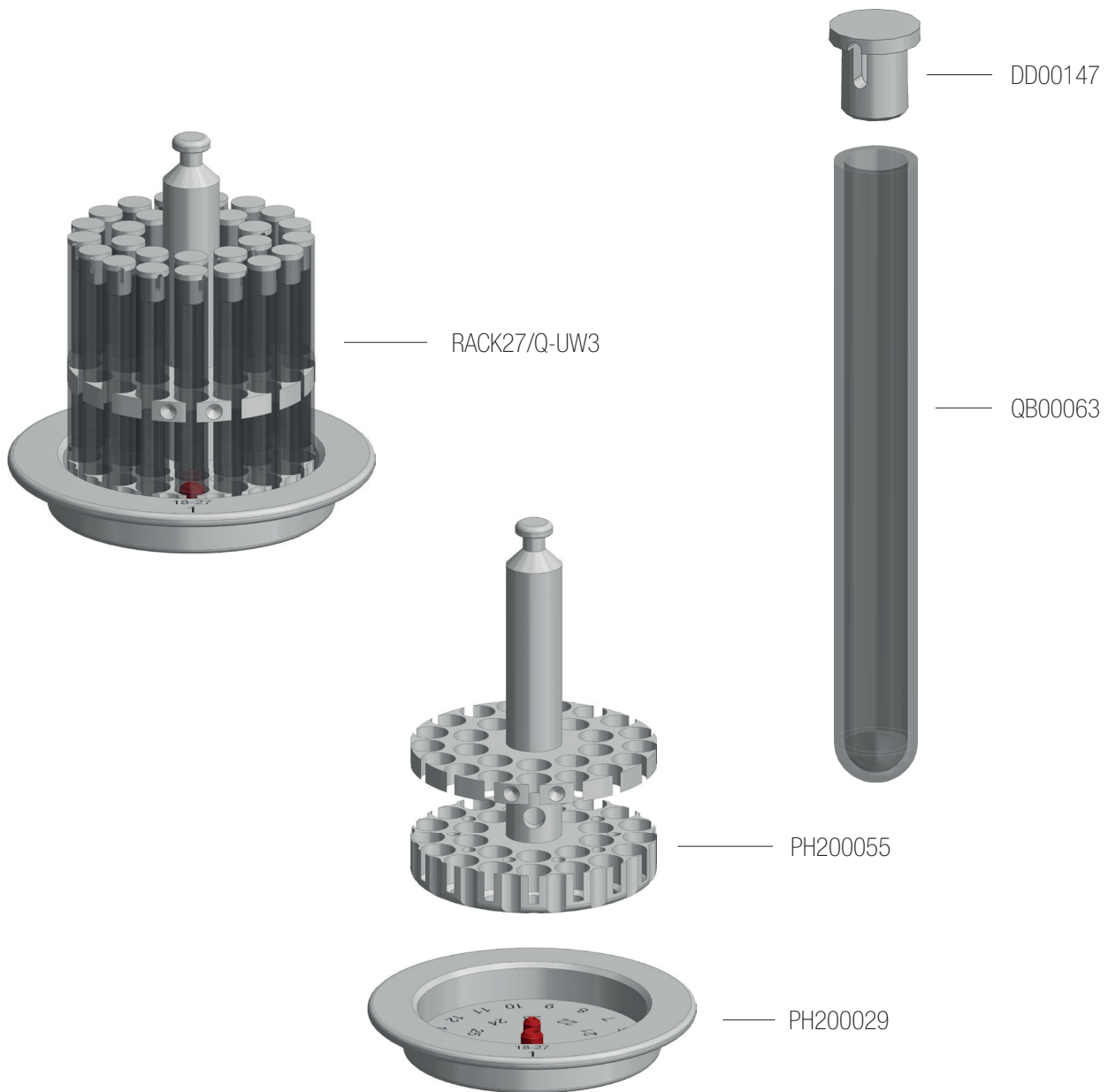
27 positions rack with GLASS vials and caps



P/N	Description
RACK27/G-UW3	27 positions rack with GLASS vials and caps
PH00111	Weighing adapter for vial Ø 12 mm
DD00147	PTFE cover for glass & TFM insert
L00066D	Glass vials (disposable) set of 250 pieces (Ø 12 mm x 100 mm) ca. 8 ml
PH200055	Sample rack 27 positions Ø 12mm
PH200029	Rack bottom plate with 27 numbered positions

# RACK27/Q-UW3

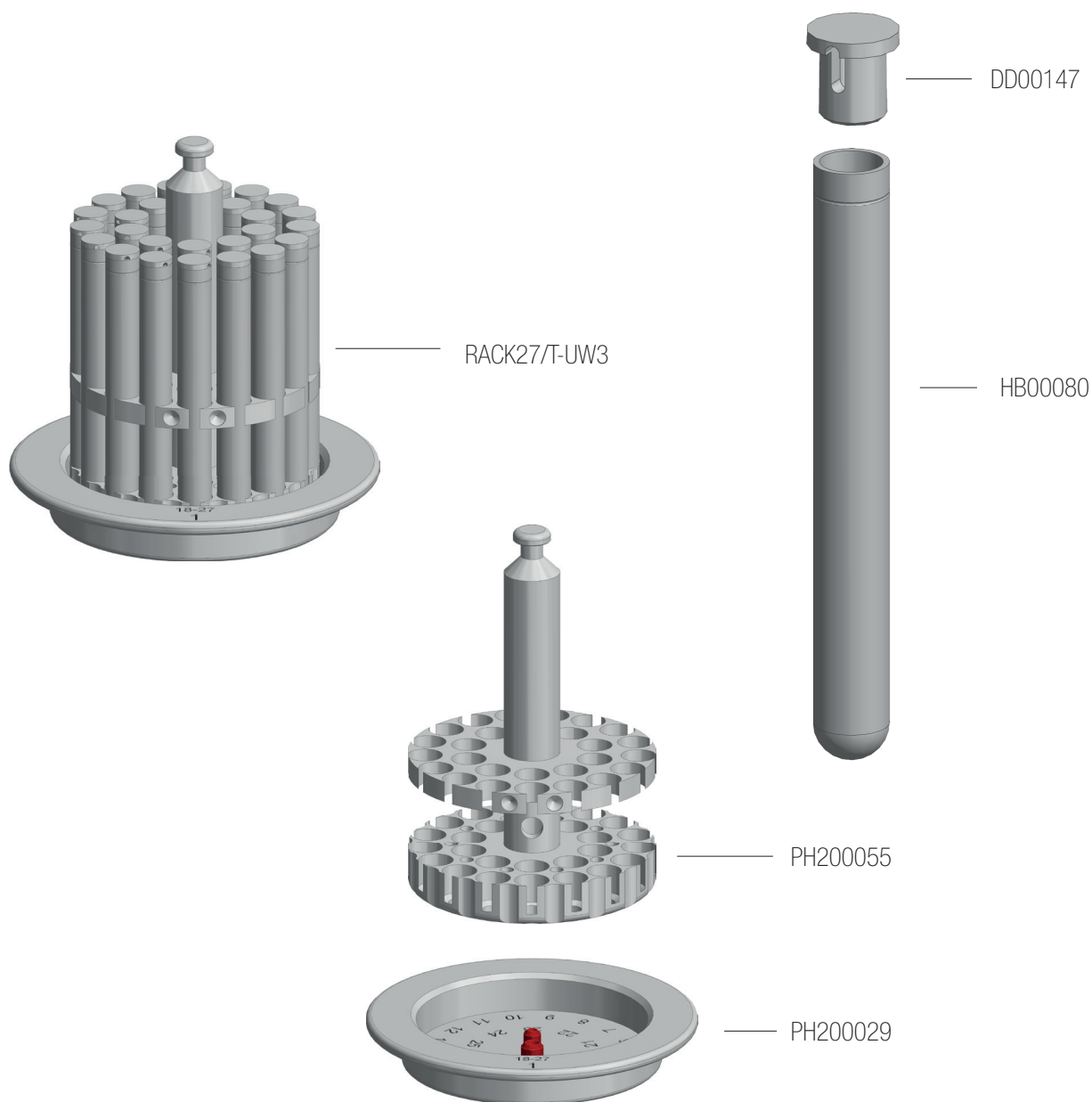
27 positions rack with QUARTZ vials and caps



P/N	Description
RACK27/Q-UW3	27 positions rack with QUARTZ vials and caps
DD00147	PTFE cap for vial Ø 12 mm
QB00063	Quartz vial 12/95 (Ø 12 mm/9 mm x 95 mm) ca. 6 ml
PH200055	Sample rack 27 positions Ø 12mm
PH200029	Rack bottom plate with 27 numbered positions

# RACK27/T-UW3

27 positions rack with TFM vials and caps



P/N	Description
RACK27/T-UW3	27 positions rack with TFM vials and caps
DD00147	PTFE cap for vial Ø 12 mm
HB00080	TFM vial 12/100 (Ø 12 mm/10 mm x 100 mm) ca. 7 ml
PH200055	Sample rack 27 positions Ø 12mm
PH200029	Rack bottom plate with 27 numbered positions

# ultraWAVE 3 40 Position Racks

The ultraWAVE 3 rack accommodates disposable glass vials and all are fitted with loose TFM caps to ensure pressure equalization. The Numbered rack tray provides the user with an easy visual indication of the vial number. Different vials material can be used along the same run.

## | SAMPLE TYPE

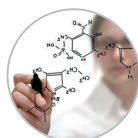
---



Biological



Food



Research

## | SAMPLE AMOUNT

---



Small



Medium



Large



Extra Large

## | RACKS MATERIAL

---



Glass

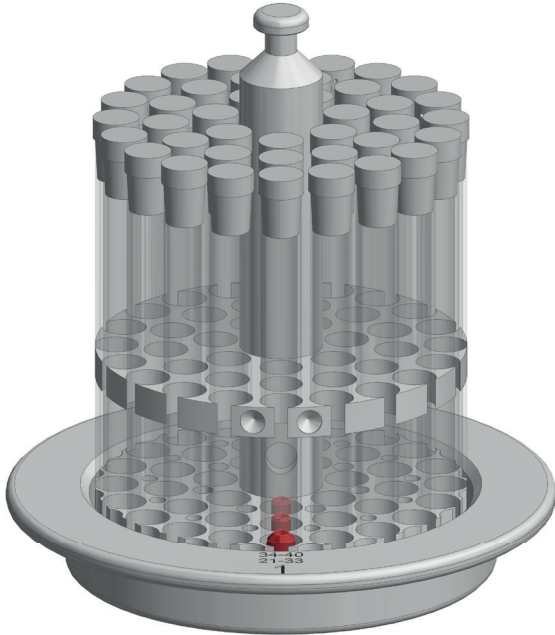


PTFE/TFM



Quartz

# ultraWAVE 3 40 Position Racks



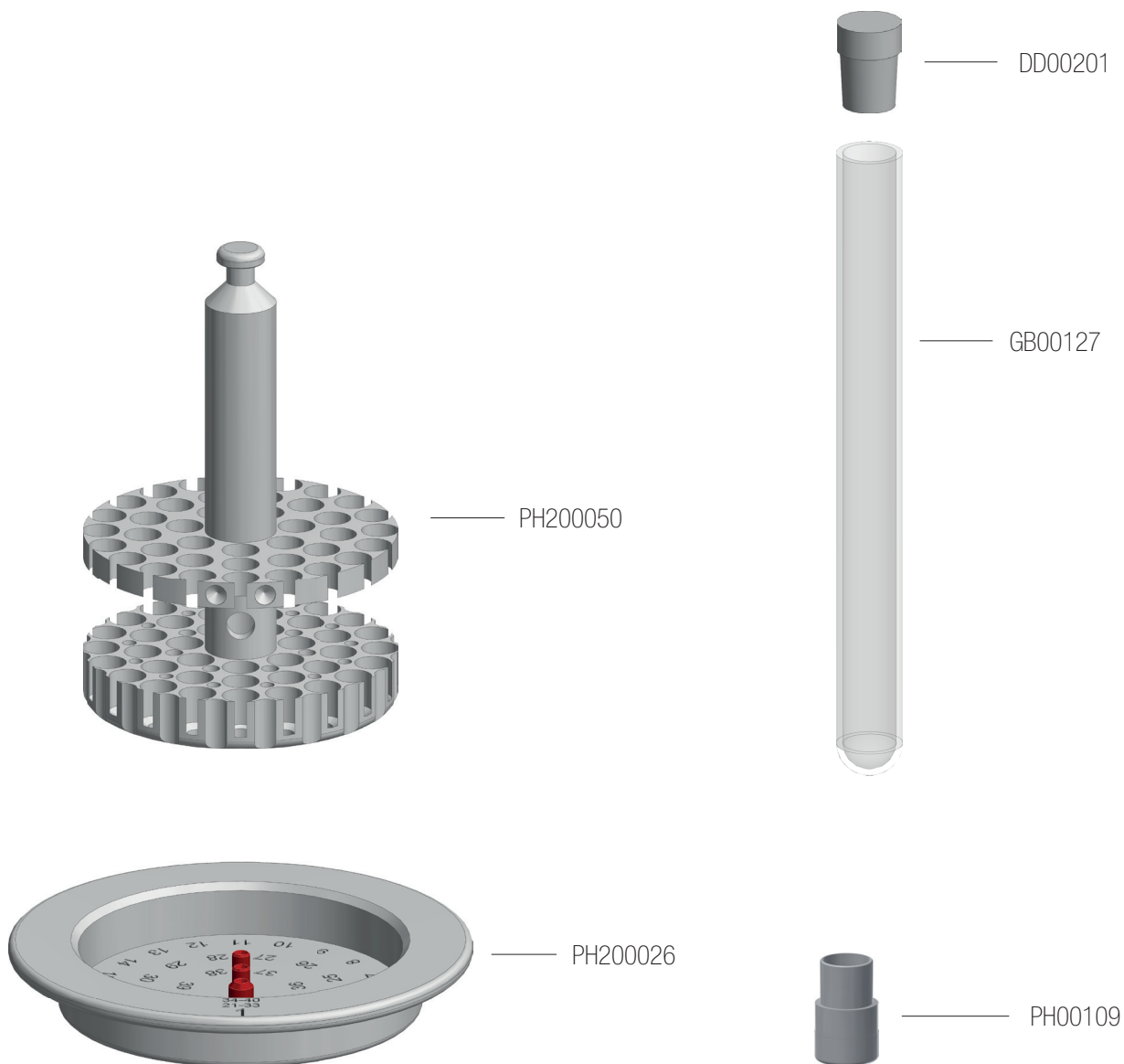
————— RACK40/G-UW3 +

P/N	Description
RACK40/G-UW3 +	40 positions rack with GLASS vials and caps

+ *Include subparts*

# RACK40/G-UW3

40 positions rack with GLASS vials and caps



P/N	Description
PH200050	Sample rack 40 positions Ø 10mm
PH00109	Weighing adapter for vial Ø 10 mm
PH200026	Rack bottom plate with 40 numbered positions
DD00201	PTFE cap for vial Ø 10 mm
GB00127	Glass vials (Ø 10 mm/8 mm x 100 mm) ca. 5 ml

# ultraWAVE 3

## CONSUMABLES



### UW-KIT ultraWAVE 3 consumables

P/N	Description
OR0294	O-Ring Ø 33x2 mm
OR0240	O-Ring Ø 12x2.5 mm
OR0275	O-Ring Ø 90x2 mm
TW200718	TFM rack holder
TW20024	Cover PTFE UW3
TW20715	TFM inlet pressure insert
HB00116	Vessel PTFE UW3

# SR-15 Extraction Rotor

easyTEMP compatible

The SR-15 rotor is compatible with any ETHOS systems equipped with easyTEMP sensor. The SR-15 is a features up to 15 TFM vessels with a volume of 100 mL and suitable for several extraction applications. Its design incorporates an enhanced 'vent-and-reseal' technology for controlling the inner pressure of all vessels, robust safety shields and large PTFE-TFM vessels.

## | SAMPLE TYPE



Officials



Environmental



Food & Feed



Pharmaceuticals



Polymers

## | SAMPLE AMOUNT



Small



Medium



Large



Extra Large

## | SAMPLE THROUGHPUT



6 positions



10 positions



12 positions



15 positions



16 positions

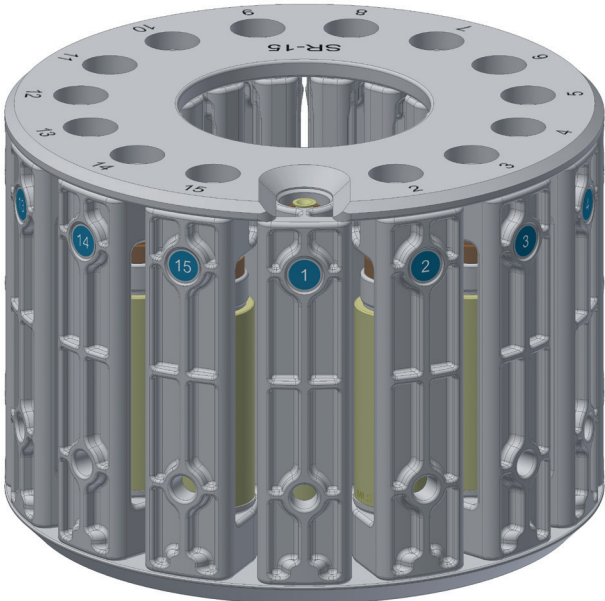


24 positions



44 positions

# SR-15 Extraction Rotor



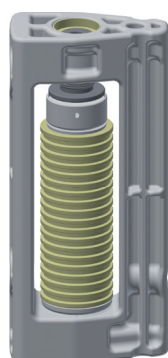
SR15ET +

P/N	Description
SR15ET +	SR-15 rotor complete for extraction

+ *Include subparts*

# SR15ET

SR-15 rotor complete for extraction



LCR00180 +



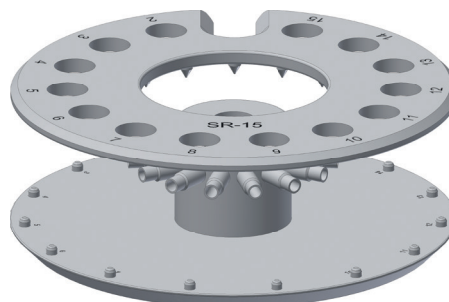
WZ00129



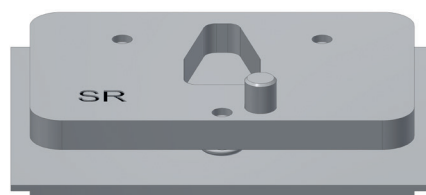
MR12001



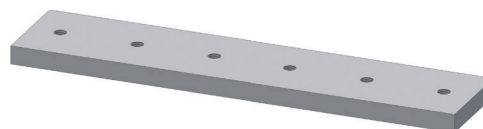
PH00032



LCR15030D



70126



PH00023



PH00071



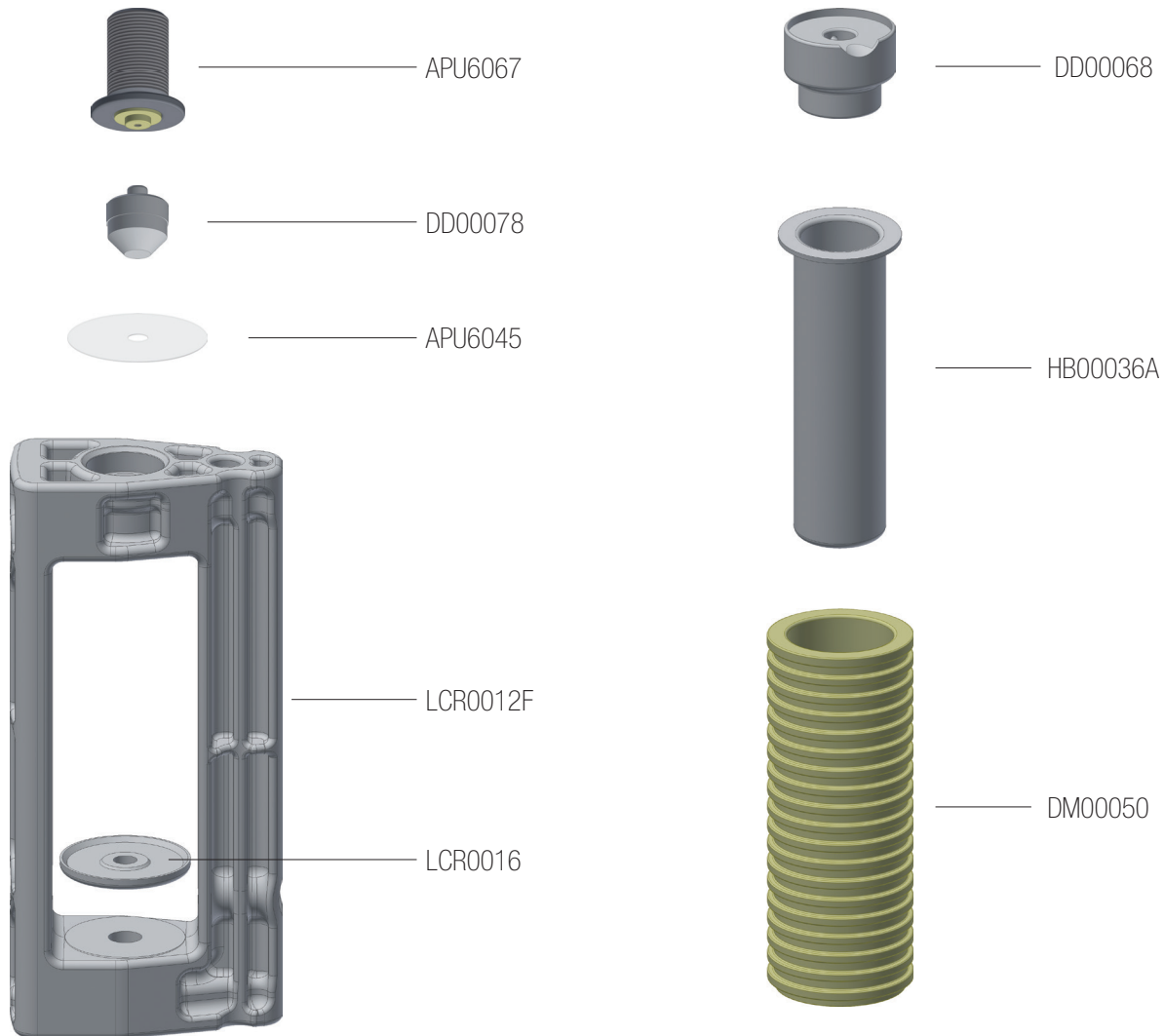
70129

P/N	Description
LCR00180 +	Rotor segment complete with APCU for EasyTEMP control
LCR15030D	Rotor body SR-15ET
WZ00129	Capping tool
70126 +	Workstation complete for SK-15
MR12001	Stirring bars
PH00032	Cover shaping
PH00023	Conditioning plate
PH00071	Sample rack 15 positions
70129	Segments labels numbers 1-15, green-white

# SR15ET

## LCR00180

Rotor segment complete with APCU for EasyTEMP control

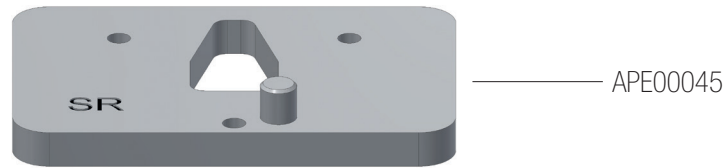


P/N	Description
APU6067	APCU-80 pressure control (M6)
DD00078	Ventil valve for APCU pressure control
APU6045	APCU-100 Protection foil
LCR0012F	Rotor segment with APCU for EasyTEMP control
LCR0016	Centering plate
DD00068	TFM cover
HB00036A	TFM vessel for EasyTEMP control
DM00050	Protection shield

# SR15ET

## 70126

Workstation complete for SR15-ET



APE00045



APE00050

P/N	Description
APE00045	Workstation for SK-15 rotor, upper part
APE00050	Workstation for SK-15 rotor, bottom part

# fastEX-24eT High Througput Extraction Rotor

The fastEX-24eT rotor consists of a 24-position carousel. Large volume vessels, made of PTFE with a dedicated Weflon ring, ensure fast and homogeneous heating. At the core of the vessel is a disposable 100 mL glass vial, for unsurpassed ease of use and low running costs.

## | SAMPLE TYPE



Officials



Agriculture



Environmental



Food

## | SAMPLE AMOUNT



Small



Medium



Large

## | SAMPLE THROUGHPUT



6 positions



10 positions



12 positions



15 positions



16 positions

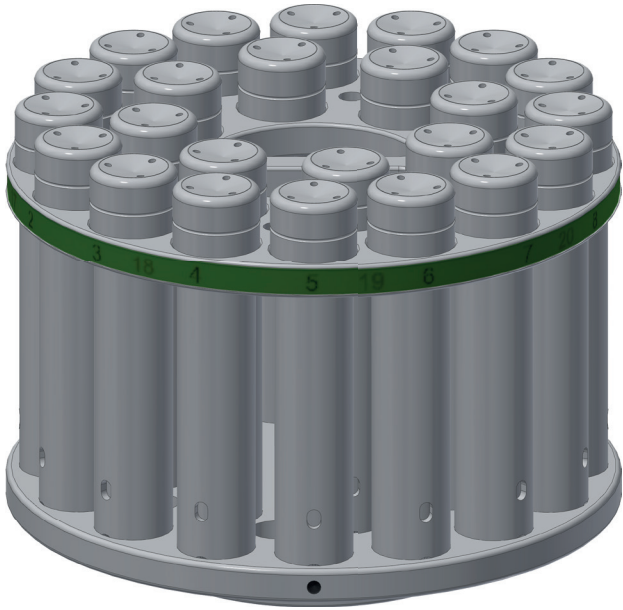


24 positions



44 positions

# fastEX-24eT High Throughput Extraction Rotor



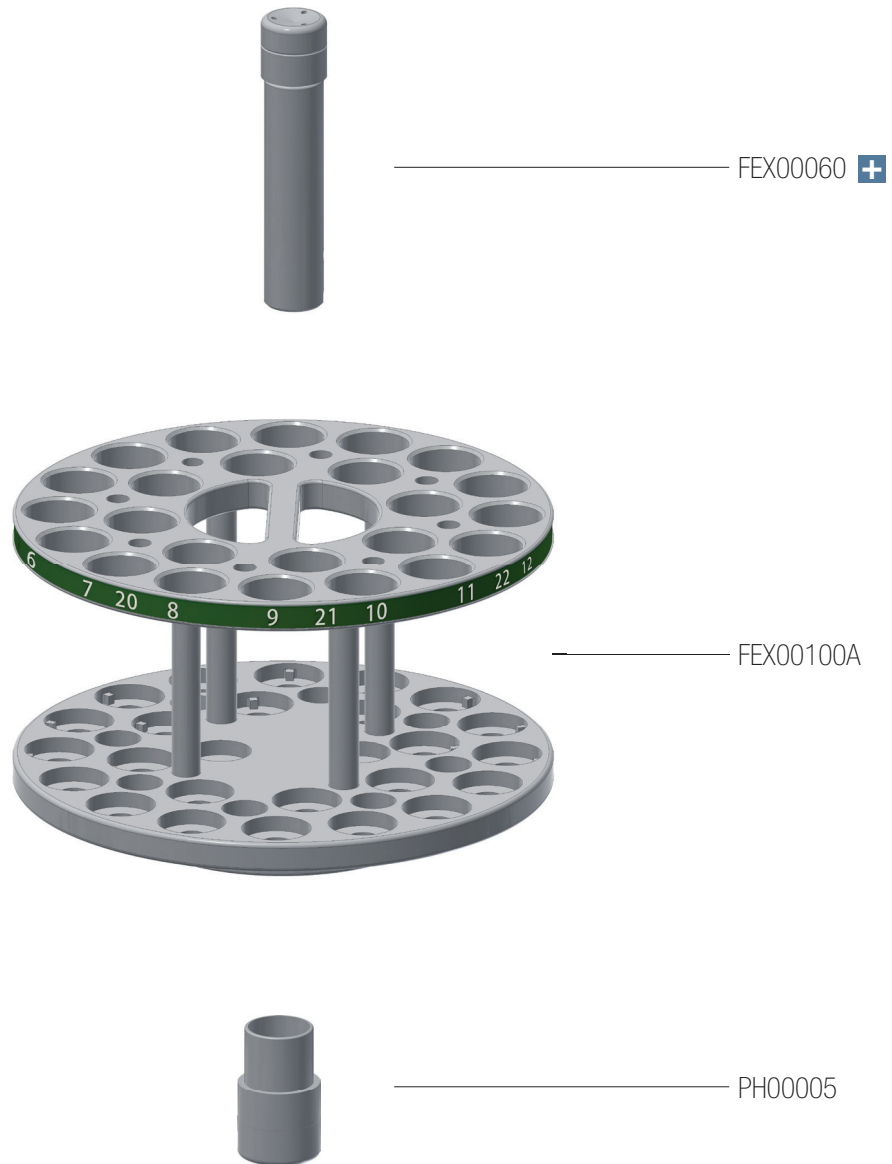
— FEX1000B +

P/N	Description
FEX1000B +	fastEX-24eT rotor complete

+ *Include subparts*

# FEX1000B

fastEX-24eT rotor complete

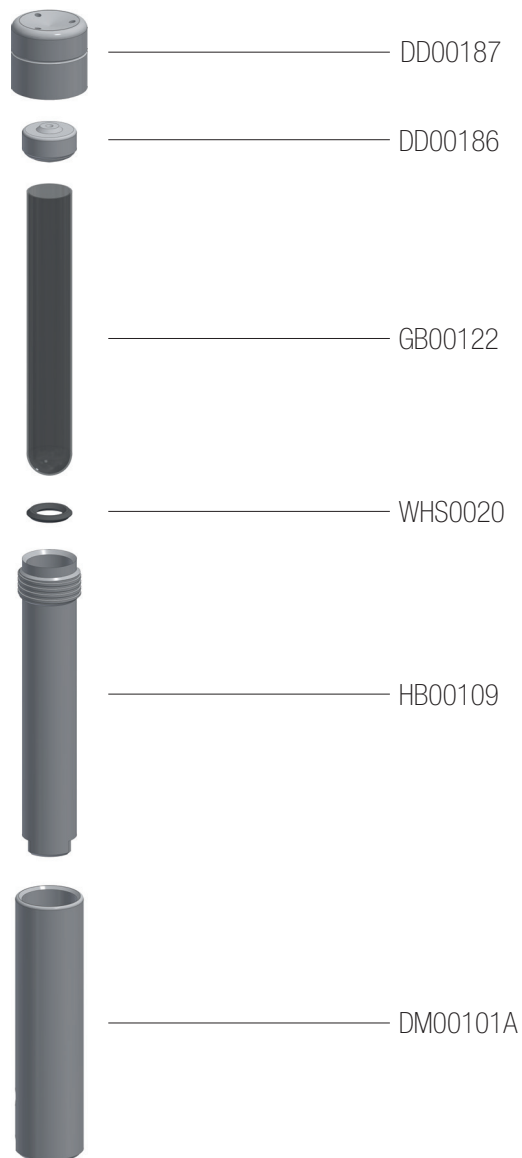


P/N	Description
FEX00060 +	Vessel complete for fastEX-24eT
FEX00100A	fastEX-24eT rotor body
PH00005	Weighing adapter

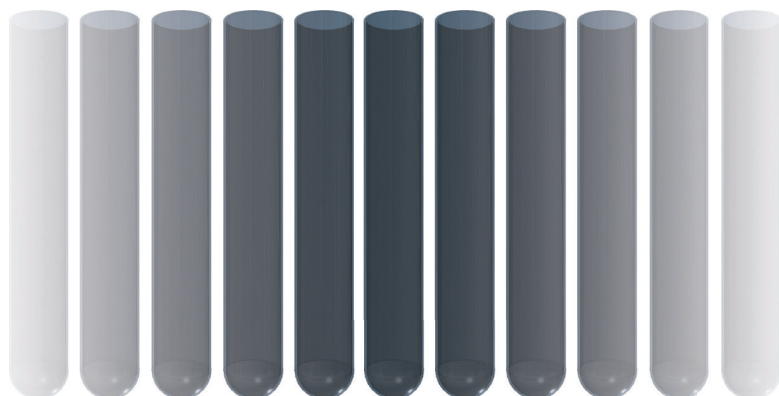
# FEX1000B

## FEX00060

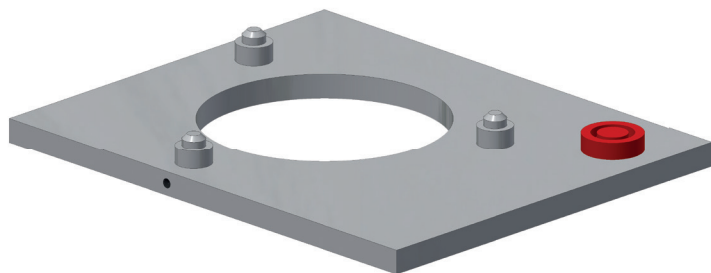
Vessel complete for fastEX-24eT



P/N	Description
DD00187	Cover with thread for fastEX-24eT
DD00186	Valve cover for fastEX-24eT
GB00122	Glass disposable vial 100ml, 30/27 diameter, 4 x 200mm
WHS0020	Weflon ring
HB00109	PTFE vessel with thread for fastEX-24eT
DM00101A	Protection shield for pressure vessel



GB00122-#



FEX00010

P/N	Description
GB00122-100	Glass disposable vial 100ml, 30/27 diameter, 4 x2000 mm (set of 100 pieces)
GB00122-200	Glass disposable vial 100ml, 30/27 diameter, 4 x2000 mm (set of 200 pieces)
GB00122-300	Glass disposable vial 100ml, 30/27 diameter, 4 x2000 mm (set of 300 pieces)
GB00122-500	Glass disposable vial 100ml, 30/27 diameter, 4 x2000 mm (set of 500 pieces)
GB00122-1000	Glass disposable vial 100ml, 30/27 diameter, 4 x2000 mm (set of 1000 pieces)
FEX00010	Installation and lift plate



WZ00239A



WZ00202E

P/N	Description
WZ00239A	Valve removal tool
WZ00202E	ACM - Automatic capping module for fastEX-24

# SFS-24 Simultaneous Filtration System

The SFS-24 is a Simultaneous Filtration System with up to 24 positions. The SFS-24 is a perfect complement to process the solutions after solvent extraction or leaching-type digestion of environmental samples.

## | SAMPLE TYPE



Officials



Agriculture



Environmental

## | SAMPLE AMOUNT



Small



Medium



Large



Extra Large

## | SAMPLE THROUGHPUT



6 positions



10 positions



12 positions



15 positions



16 positions

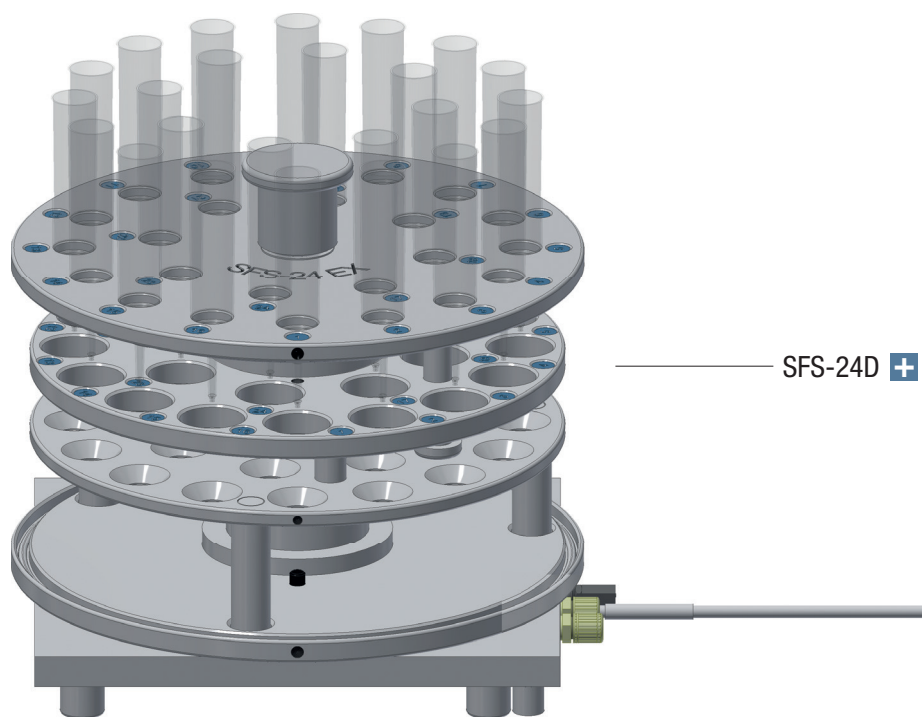


24 positions



44 positions

# SFS-24 Simultaneous Filtration System for organic solvents for vials Ø 40mm

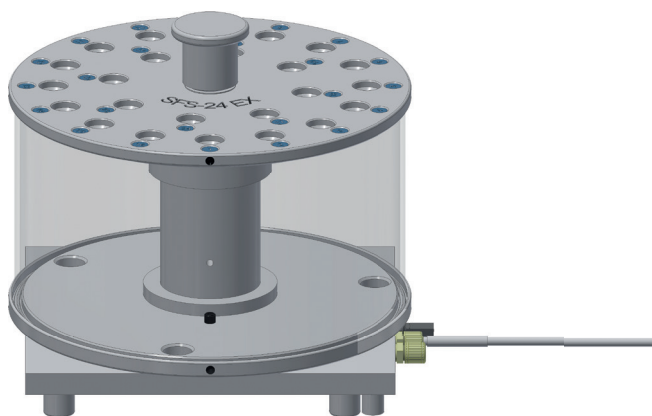


P/N	Description
SFS-24D +	Simultaneous Filtration System for organic solvents for vials Ø 40mm

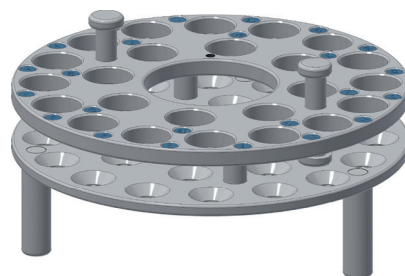
+ *Include subparts*

# SFS-24D

Simultaneous Filtration System for organic solvents for vials Ø 40mm



SFS24150-IT



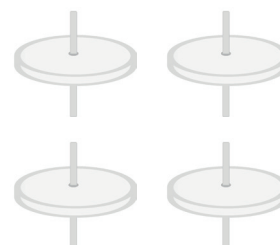
SFS24060



SFS0001IT



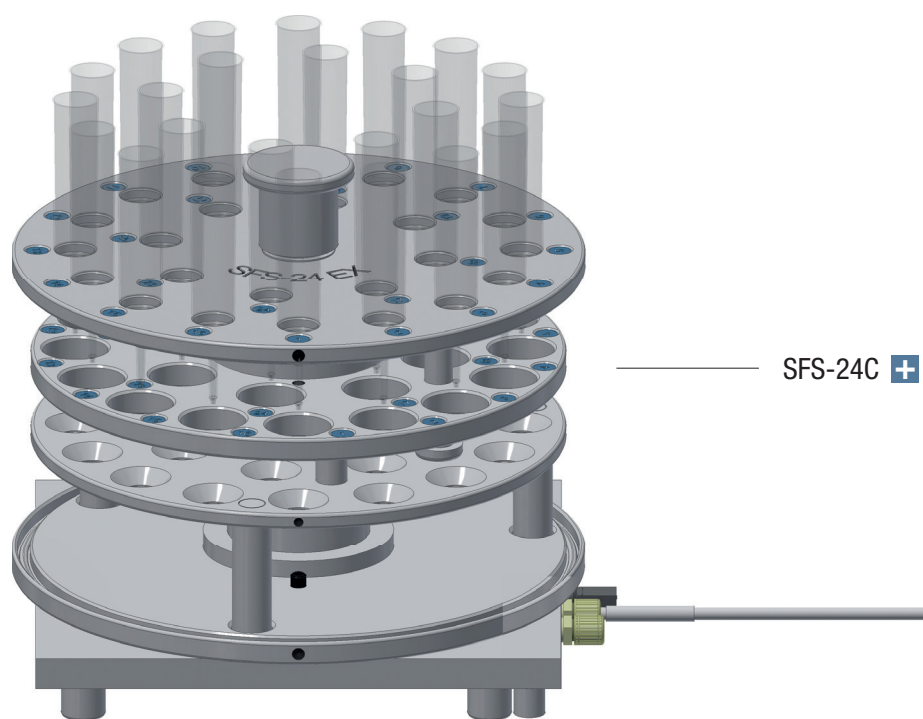
SFS0002IT



SFS0003IT

P/N	Description
SFS24150-IT	Simultaneous filtration system 24 positions with 24 silicon tubes Ø 7/3 mm
SFS24060	Filtration rack 24 positions for vials Ø 40x91mm
SFS0001IT	Syringe 30ml
SFS0002IT	Plastic needle 1.25"
SFS0003IT	Filter for syringe Ø 25 mm, 0.45 µm
E01147A	Blind stopper for fast filtration Ø 27,5 (set of 15 pieces)

# SFS-24 Simultaneous Filtration System for organic solvents and acid solutions for vials Ø 27.5 mm

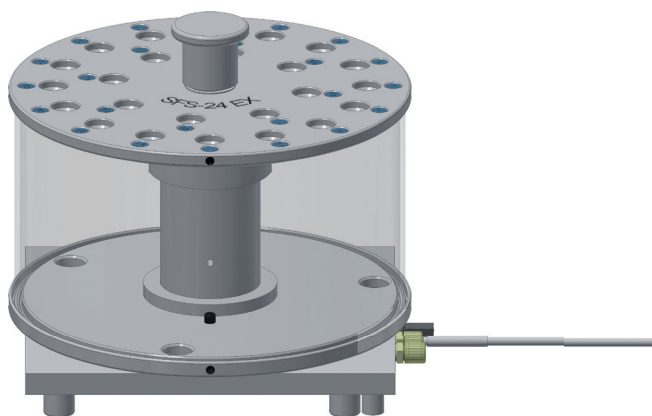


P/N	Description
SFS-24C +	Simultaneous Filtration System for organic solvents and acid solutions for vials Ø 27.5 mm

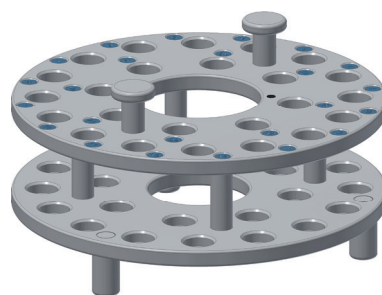
+ *Include subparts*

# SFS-24C

Simultaneous Filtration System for organic solvents and acid solutions for vials Ø 27.5 mm



SFS24150-IT



SFS24050



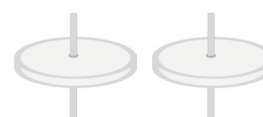
SFS0001IT



SFS0001



SFS0002IT



SFS0003IT

P/N	Description
SFS24150-IT	Simultaneous filtration system 24 positions with 24 silicon tubes Ø 7/3 mm
SFS24050	Filtration rack 24 positions for vials Ø 27,5x140mm
SFS0001	Filtration glass vial 27,5x140mm
SFS0001IT	Syringe 30ml
SFS0002IT	Plastic needle 1.25"
SFS0003IT	Filter for syringe Ø 25 mm, 0.45 µm
E01147A	Blind stopper for fast filtration Ø 27,5 (set of 15 pieces)

# DMA Accessories & Consumables

| Suitable for the following DMA models:

- DMA-80 *evo* Dualcell (Single Beam and Double Beam)
- DMA-80 *evo* Tricell (Double Beam)
- DMA-80 *evo* Wide Range
- DMA-80 Dualcell
- DMA-80 Tricell
- DMA-80 Wide Range
- DMA-1 *evo*



The DMA is capable to determine mercury in a wide variety of samples, either solid, liquid and gas. The system is fully compliant with the US EPA 7473 and allows direct mercury analysis in virtually any sample. All the models have a specific working range, which allows to measure from low ppb levels up to high ppm. The DMA *evo* available with single and double beam configuration further enhance the system stability and precision, ensure superior limit of quantification and reproducibility.

## | SAMPLE TYPE



Cement/Mining



Clinicals/Biological



Environmental



Food/Fish



Petrochemicals



Power plant/Coal

# DMA Accessories & Consumables

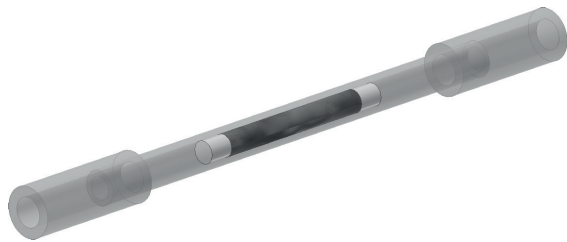
## DMA8333

Quartz catalyst tube complete



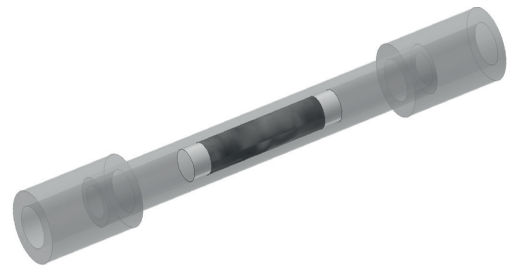
## DMA8134

Amalgamator complete with 2 connections



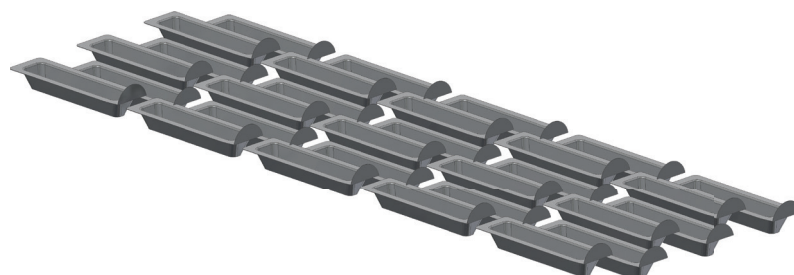
## DMA80771

Tube with amalgamator for DMA-80 wide range



## DMA8142

Sample metal boats (set of 40 pieces)



## DMA8347

Quartz sample boats for DMA-80, set of 10 pcs - 1,5ml



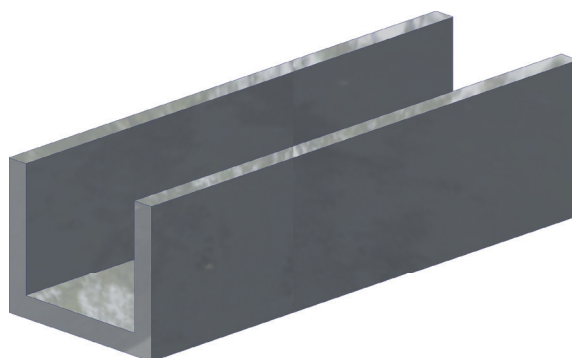
## 70200

Hg Trap



## DMA0464

Weighing stand for sample boats



**DMA80-KIT2** DMA-80 Start consumables kit for DMA-80 and DMA-80 *evo* units

P/N	Description
DMA8333	Quartz catalyst tube complete
DMA8134	Amalgamator complete with 2 connections
SL00128A	Silicon joints (set of 10 pieces)
S00376B	Heating coil Amalgamator 13 Wi
DMA8347	Quartz sample boats for DMA-80, set of 10 pcs - 1,5ml
DMA8142	Sample metal boats (set of 40 pieces)
70200	Hg Trap

**DMA80-WR-KIT2** Start consumables kit for DMA-80 WR and DMA-80 *evo* WR units

P/N	Description
DMA80-WR-KIT2	Start consumables kit for DMA-80 WR and DMA-80 <i>evo</i> WR units
DMA8333	Quartz catalyst tube complete
DMA80771	Tube with amalgamator for DMA-80 wide range Quartz, Ø 9/7x52 mm
S00376G	Heating coil amalgamator for DMA-80 wide range Ø 9x 10 Wicklungen
DMA8347	Quartz sample boats for DMA, set of 10 pcs - 1,5ml
DMA8142	Sample metal boats (set of 40 pieces)
70200	Hg Trap

**DMA1-WR-KIT2** Start consumables kit for DMA-1 *evo*

P/N	Description
DMA1EVO-KIT2	Start consumables kit for DMA-1 <i>evo</i>
DMA8333	Quartz catalyst tube complete
DMA8134	Amalgamator complete with 2 connections
SL00128A	Silicon joints (set of 10 pieces) (catalyst side)
S00376B	Heating coil Amalgamator 13 Wi
70200	Hg Trap
DMA8347	Quartz sample boats for DMA, set of 10 pcs - 1,5ml
DMA8142	Sample metal boats (set of 40 pieces)

# easyFILL Automated Dosing Station

The easyFILL is an Automated Dosing Station that enables safe and efficient addition of reagents into digestion and extraction vessels or vials as well as into volumetric flasks.

## | SAMPLE TYPE



Officials



Agriculture



Beverage



Cannabis



Ceramics



Chemicals



Clinicals



Consumer Products



Environmental



Food & Feed



Metals & Mining



Petrochemicals



Pharmaceuticals



Pigments



Polymers

## | RACKS AVAILABLE FOR

SK-15, SR-15

MAXI-44, MAXI-24 HP

ultraWAVE 1 & 2

ultraWAVE 3

ultraCLAVE

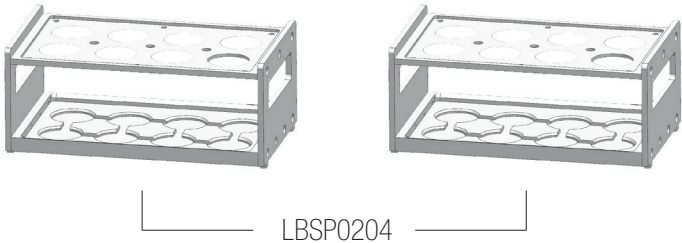
ICP Autosampler

NON-Milestone  
Digestion Vessels

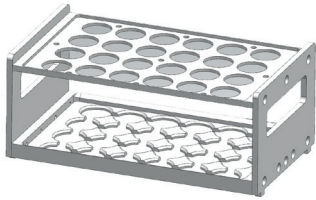
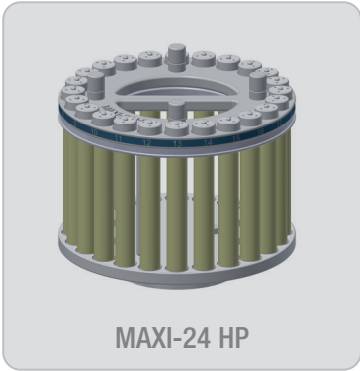
NON-Milestone  
Digestion Vials

# easyFILL configuration for Rotor-based system

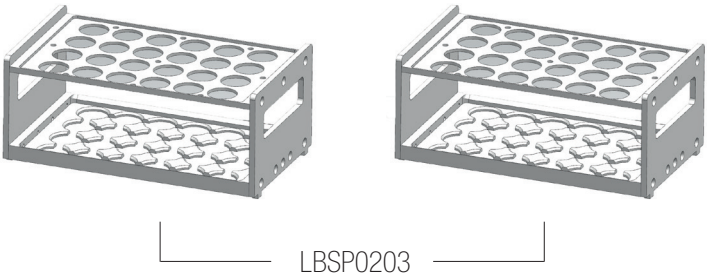
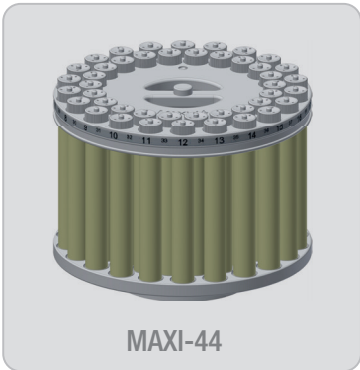
**LBSP0300** easyFILL kit for Milestone SK & SR rotors (includes n. 2 LBSP0204)



**LBSP0203** easyFILL 24 positions rack Ø 31mm for MAXI vessels  
*(easyFILL can hold up to two racks simultaneously)*

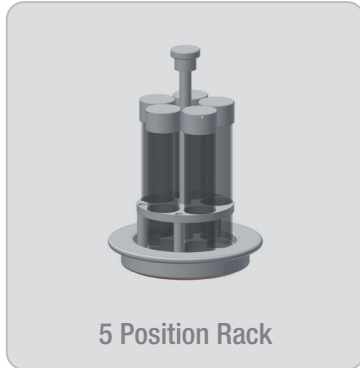


**LBSP0310** easyFILL kit for MAXI-44 rotor (includes n. 2 LBSP0203)

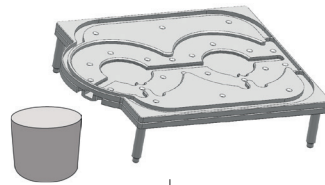


# easyFILL configuration for ultraWAVE 1 & 2 (Standard and ECR version)

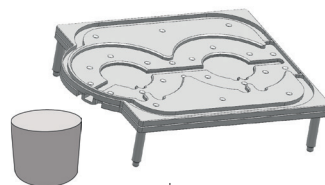
**LBSP0380** easyFILL kit for ultraWAVE (1 & 2 generation) **5 positions rack** (includes n. 1 LBSP0205; n.1 LBSP0267)  
*LBSP0205 can hold up to two racks simultaneously (two adapters required)*



**LBSP0321** easyFILL kit for ultraWAVE (1 & 2 generation) **8 positions rack** (includes n. 1 LBSP0205; n.1 LBSP0268)  
*LBSP0205 can hold up to two racks simultaneously (two adapters required)*

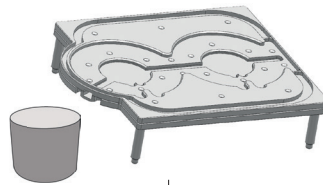


**LBSP0320** easyFILL kit for ultraWAVE (1 & 2 generation) **15 positions rack** (includes n. 1 LBSP0205; n.1 LBSP0201)  
*LBSP0205 can hold up to two racks simultaneously (two adapters required)*



# easyFILL configuration for **ultraWAVE 1 & 2 (Standard and ECR version)**

**LBSP0322** easyFILL kit for ultraWAVE (1 & 2 generation) 22 positions rack (includes n. 1 LBSP0205; n.1 LBSP0270)  
*LBSP0205 can hold up to two racks simultaneously (two adapters required)*

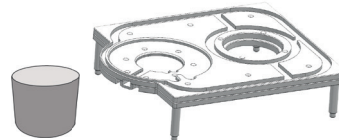


LBSP0205



LBSP0270

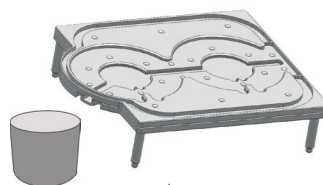
**LBSP0273** easyFILL plate for 1 rack and 1 PTFM liner



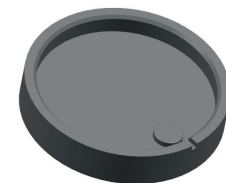
LBSP0273

# easyFILL configuration for **ultraWAVE 3**

**LBSP0330** easyFILL kit for ultraWAVE 3 7 positions rack (includes n. 1 LBSP0205; n.1 LBSP0200)  
*LBSP0205 can hold up to two racks simultaneously (two adapters required)*



LBSP0205

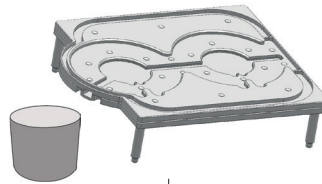


LBSP0200

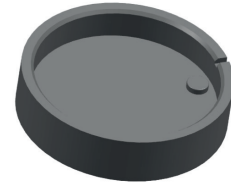
# easyFILL configuration for **ultraWAVE 3**

---

**LBSP0340** easyFILL kit for ultraWAVE 3 **20 positions rack** (includes n. 1 LBSP0205; n.1 LBSP0202)  
*LBSP0205 can hold up to two racks simultaneously (two adapters required)*



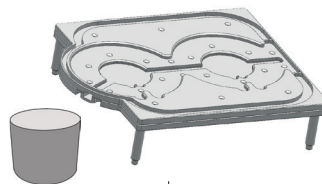
LBSP0205



LBSP0202

---

**LBSP0331** easyFILL kit for ultraWAVE 3 **27 positions rack** (includes n. 1 LBSP0205; n.1 LBSP0269)  
*LBSP0205 can hold up to two racks simultaneously (two adapters required)*



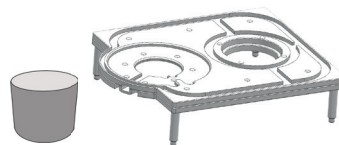
LBSP0205



LBSP0269

---

**LBSP0273** easyFILL plate for 1 rack and 1 PTFM liner

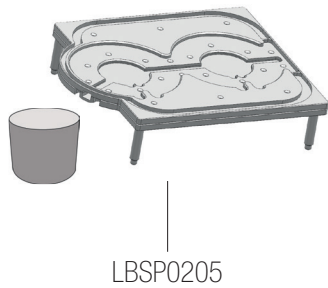


LBSP0273

# easyFILL configuration for **ultraCLAVE**

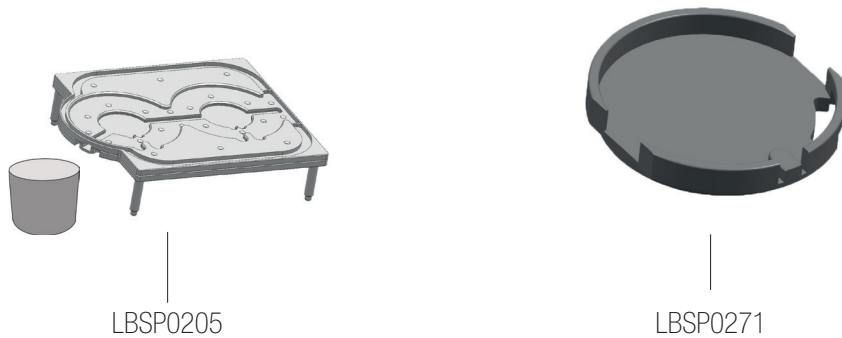
---

**LBSP0205** easyFILL plate for ultraCLAVE 40 positions rack  
*LBSP0205 can hold up to two racks simultaneously (two adapters required)*



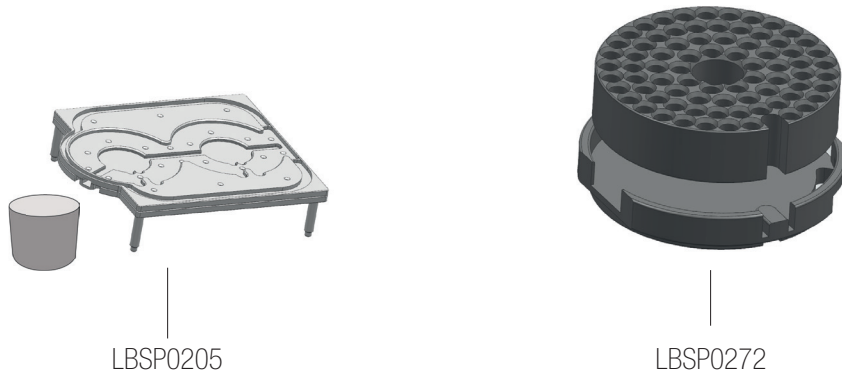
---

**LBSP0390** easyFILL kit for ultraCLAVE 62 positions rack (includes n. 1 LBSP0205; n.1 LBSP0271)  
*LBSP0205 can hold up to two racks simultaneously (two adapters required)*



---

**LBSP0391** easyFILL kit for ultraCLAVE 77 positions rack (includes n. 1 LBSP0205; n.1 LBSP0272)  
*LBSP0205 can hold up to two racks simultaneously (two adapters required)*



# easyFILL configuration for ICP Autosampler

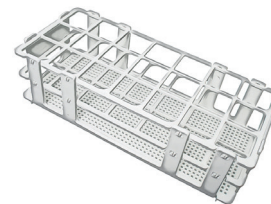
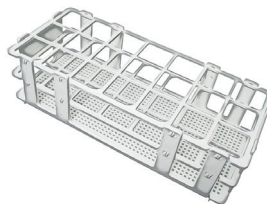
---

## LBSP0350 easyFILL kit for ICP autosampler 42 positions

Suitable for vials with  $\varnothing$  30 mm (includes n. 1 LBSP0236; n.2 LBSP0237)



LBSP0236



LBSP0237

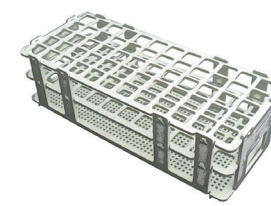
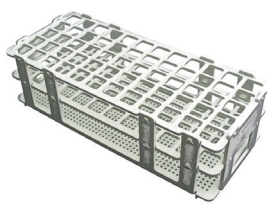
---

## LBSP0360 easyFILL kit for ICP autosampler 120 positions

Suitable for vials with  $\varnothing$  16 mm (includes n. 1 LBSP0236; n.2 LBSP0238)



LBSP0236

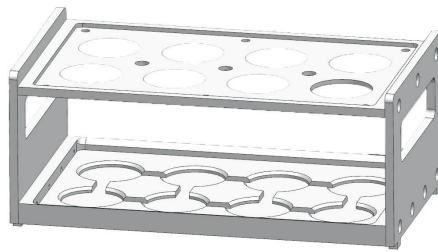


LBSP0238

# easyFILL configuration for **NON-Milestone Digestion Vessels**

---

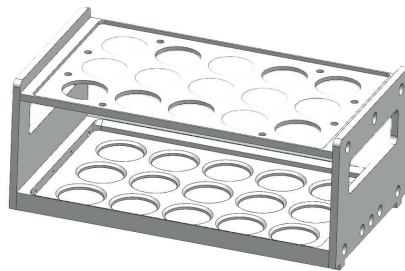
**LBSP0204** easyFILL 8 positions rack Vessels with  $\varnothing$  44 mm (max)  
*easyFILL can hold up to two racks simultaneously*



LBSP0204

---

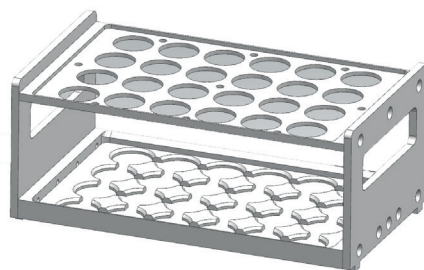
**LBSP0274** easyFILL 15 positions rack Vessels with  $\varnothing$  36.5 mm (max)  
*easyFILL can hold up to two racks simultaneously*



LBSP0274

---

**LBSP0203** easyFILL 24 positions rack Vessels with  $\varnothing$  31 mm (max)  
*easyFILL can hold up to two racks simultaneously*

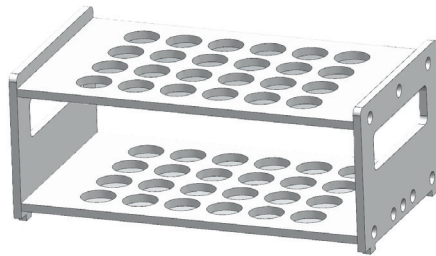


LBSP0203

# easyFILL configuration for **NON-Milestone Digestion Vessels**

---

**LBSP0275** easyFILL 24 positions rack Vessels with Ø 26.5 mm (max)  
*easyFILL can hold up to two racks simultaneously*

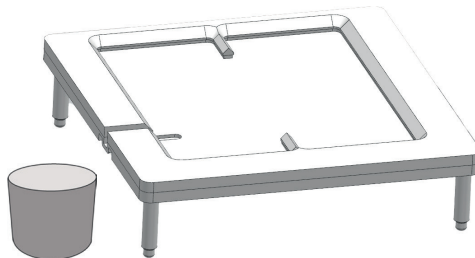


LBSP0275

---

# easyFILL configuration for **NON-Milestone Digestion Vials**

**LBSP0236** easyFILL plate for vials (required for all the following racks)

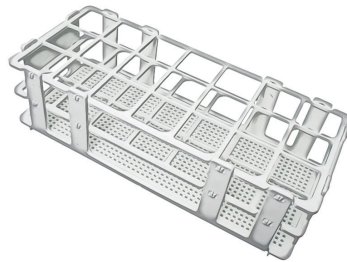


LBSP0236

# easyFILL configuration for **NON-Milestone Digestion Vials**

---

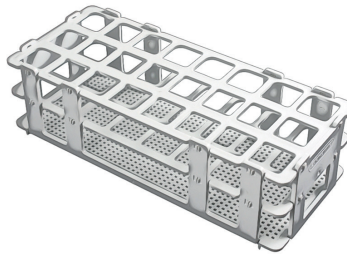
**LBSP0237** easyFILL 21 positions rack Vessels with  $\varnothing$  30 mm (max) *(To be ordered with LBSP0236)*  
*easyFILL can hold up to two racks simultaneously*



LBSP0237

---

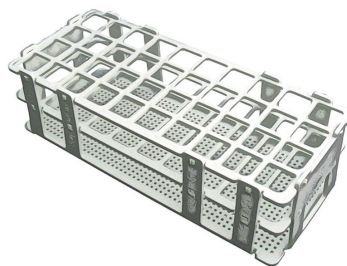
**LBSP0264** easyFILL 24 positions rack Vessels with  $\varnothing$  25 mm (max) *(To be ordered with LBSP0236)*  
*easyFILL can hold up to two racks simultaneously*



LBSP0264

---

**LBSP0263** easyFILL 40 positions rack Vessels with  $\varnothing$  20 mm (max) *(To be ordered with LBSP0236)*  
*easyFILL can hold up to two racks simultaneously*

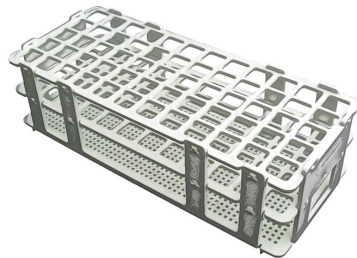


LBSP0263

# easyFILL configuration for **NON-Milestone Digestion Vials**

---

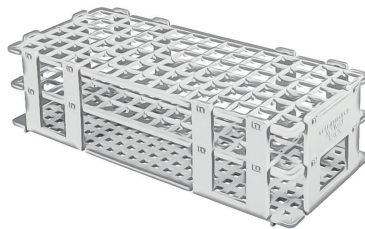
**LBSP0238** easyFILL 60 positions rack Vessels with Ø 16 mm (max) *(To be ordered with LBSP0236)*  
*easyFILL can hold up to two racks simultaneously*



————— LBSP0238

---

**LBSP0262** easyFILL 90 positions rack Vessels with Ø 12 mm (max) *(To be ordered with LBSP0236)*  
*easyFILL can hold up to two racks simultaneously*

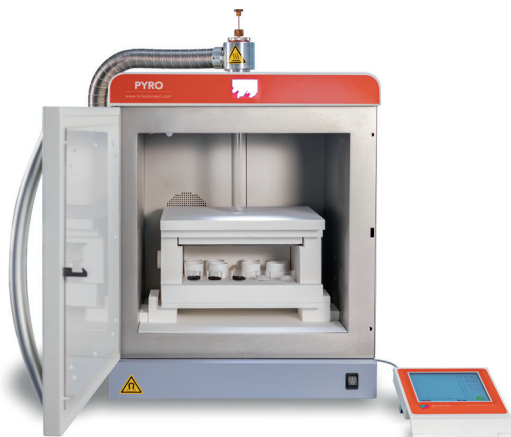


————— LBSP0262

# PYRO Accessories & Consumables

| Suitable for the following PYRO configurations:

- PYRO High Sample Throughput\*
- PYRO Sulfated Ashing\*
- PYRO UltraFAST Heating\*



The Milestone PYRO is an advanced microwave muffle furnace, suitable for several applications such as ashing, sulfated ashing, loss on ignition (LOI), residue on ignition (ROI), fusion and, all high temperature reactions under controlled conditions.

## | SAMPLE TYPE



Officials



Environmental



Food/Feed



Petrochemicals



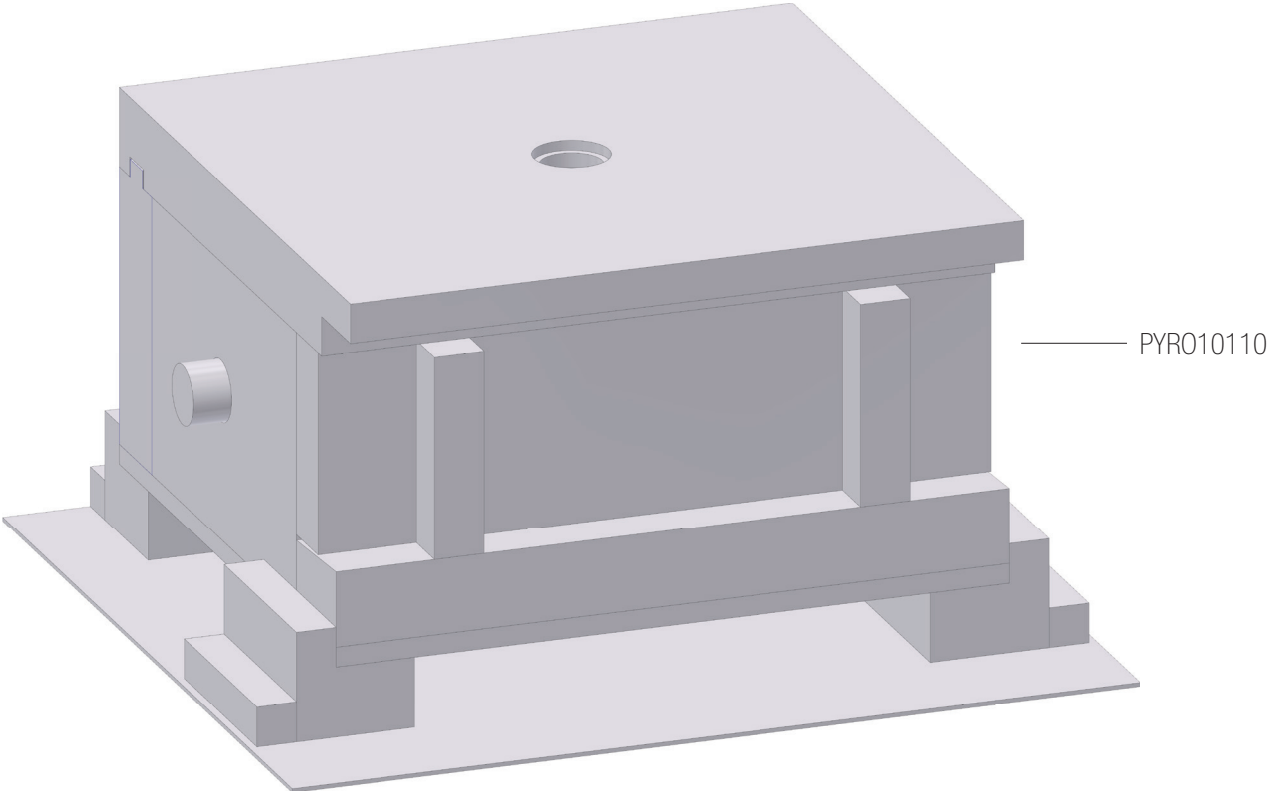
Pharmaceuticals



Polymers

\* Models from 2021

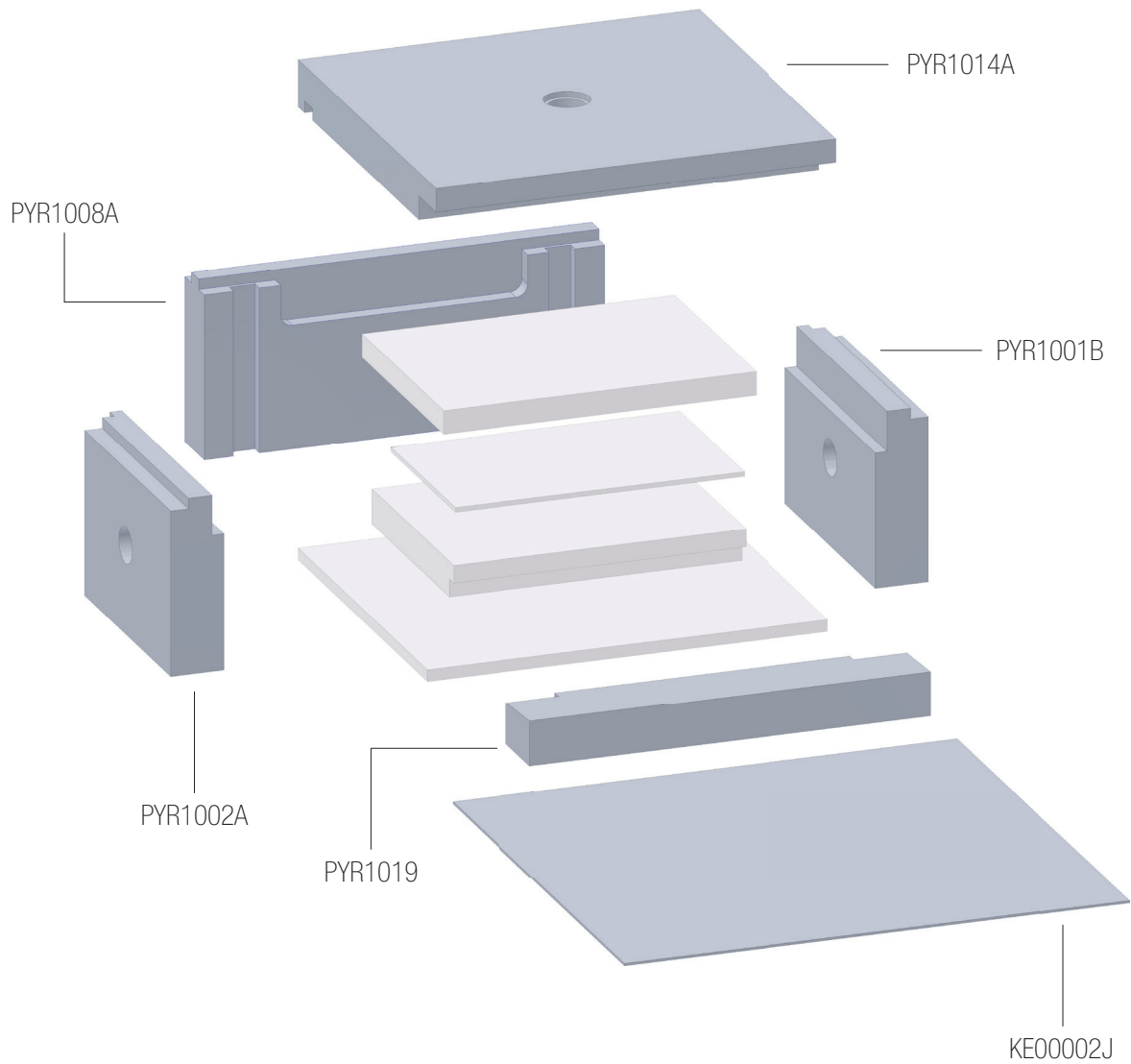
# PYR010110 PYRO muffle furnace complete



P/N	Description
PYR010110	Rectangular muffle furnace complete

# PYRO10110 (continued)

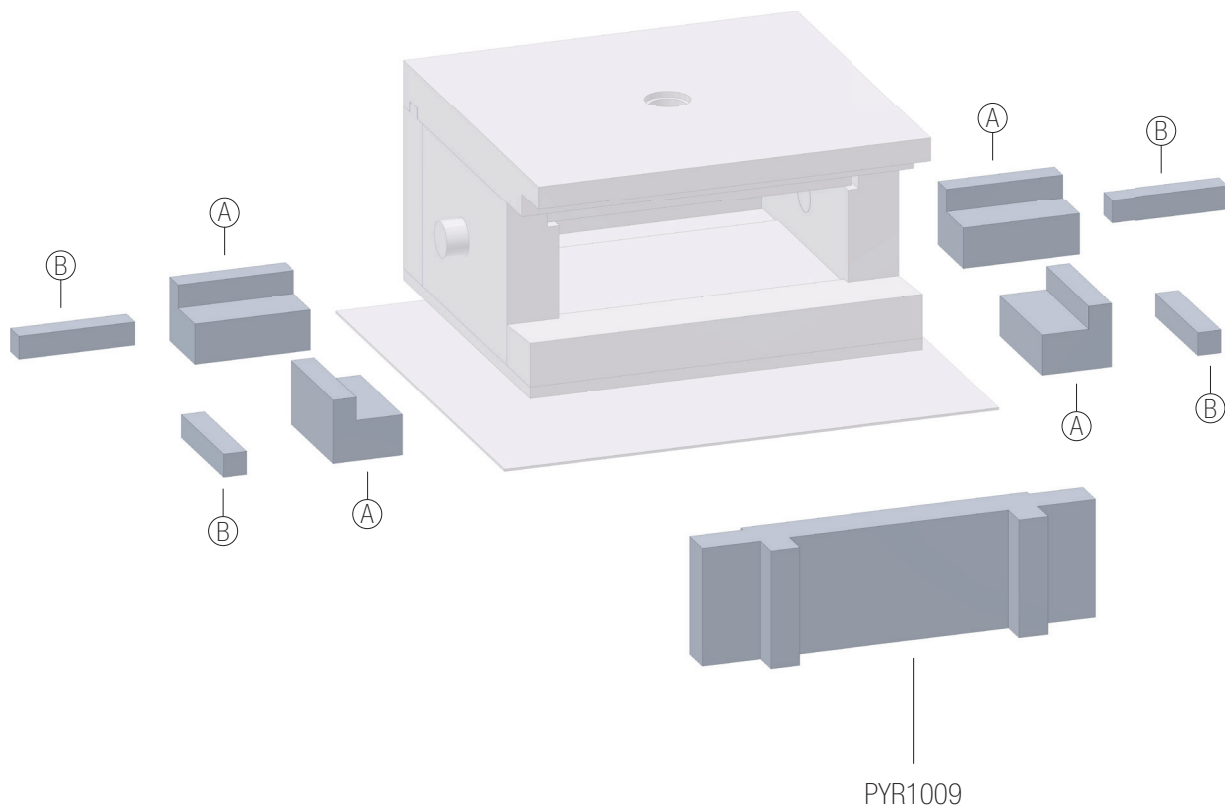
Rectangular muffle furnace complete



P/N	Description
PYR1014A	Muffle cover 240x320x40 mm
PYR1008A	Back support of muffle
PYR1002A	Left lateral panel
PYR1001B	Right lateral panel
PYR1019	Lower frontal frame
KE00002J	Insulating floor KF-fiber

# PYR010110 (continued)

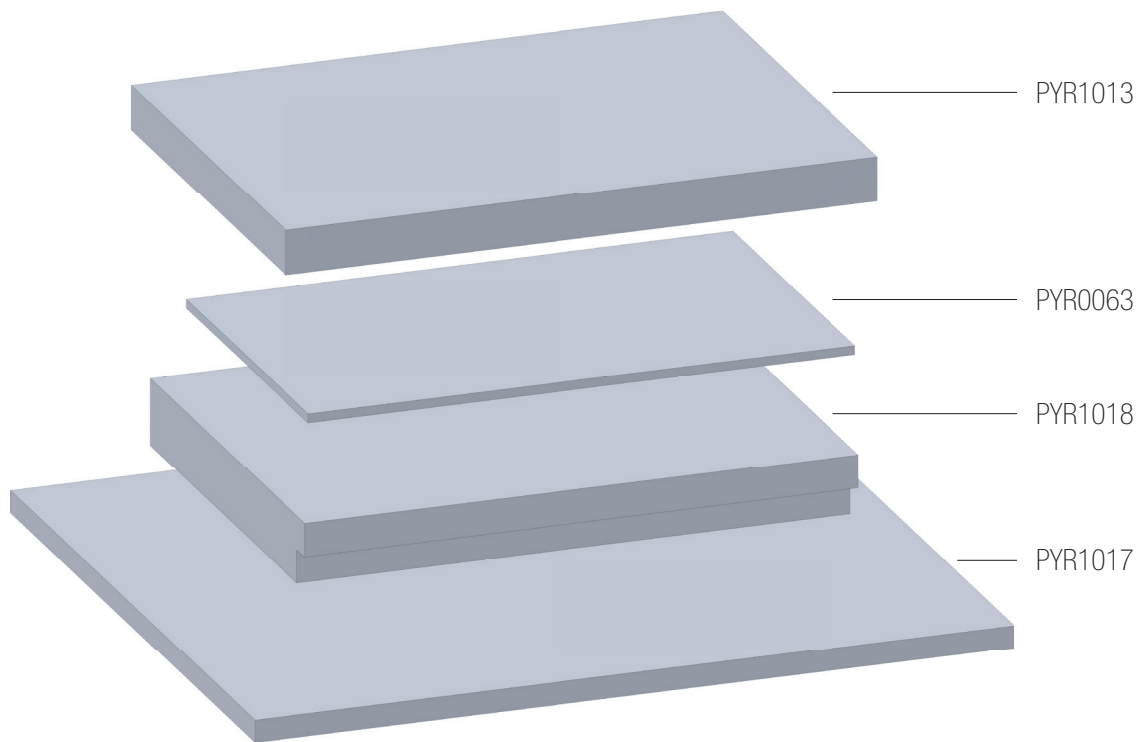
Rectangular muffle furnace complete



P/N	Description
PYR1009	Muffle door
PYR1003 (A)	Support
PYR1006 (B)	Fixed rectangle column

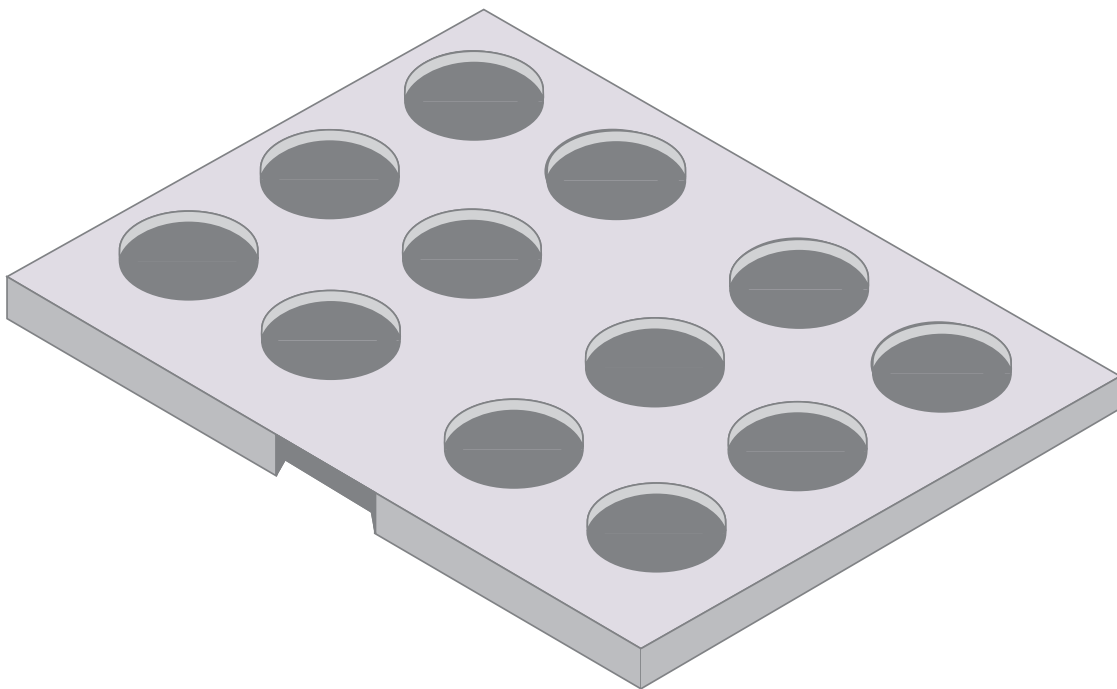
# PYR010110

Rectangular muffle furnace complete



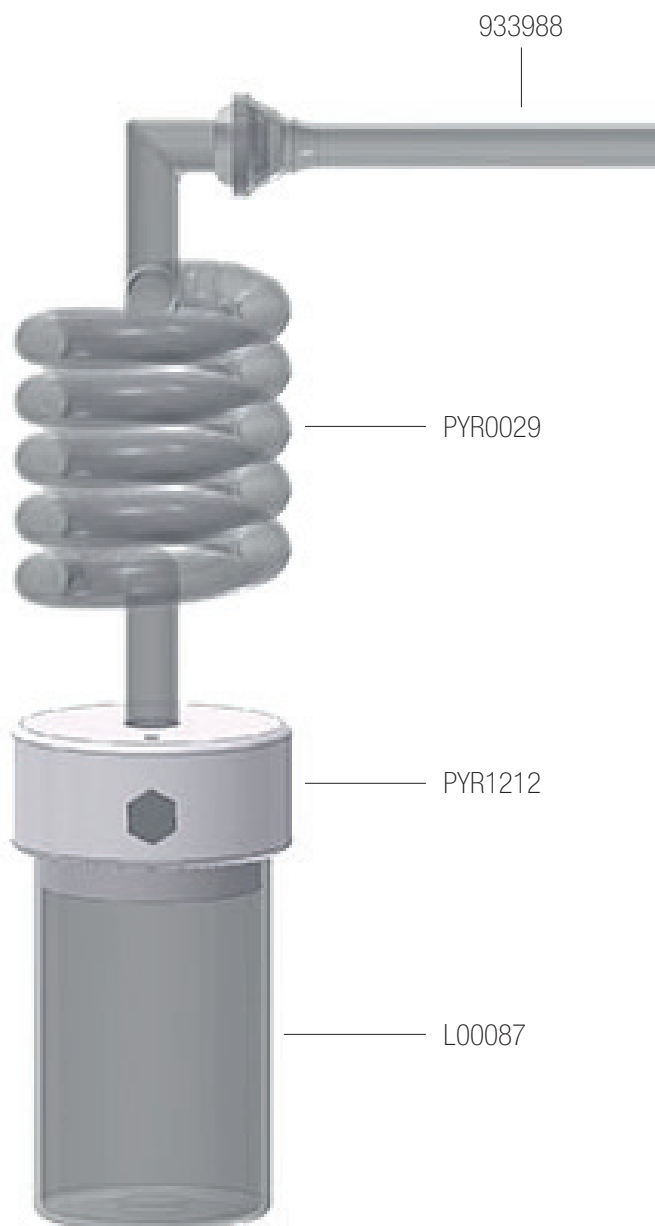
P/N	Description
PYR1013	Insulating plate 265x175x20 mm
PYR0063	Quartz plate
PYR1018	Insulating plate 250x180x20 mm
PYR1017	Floor plate

**PYRO** ACCESSORIES FOR High Sample Throughput *and* Sulfated Ashing



P/N	Description
PYR1021	Tray for crucible handling and transport (12 positions). For crucibles with bottom $\varnothing < 30$ mm

## PYRO ACCESSORIES FOR Sulfated Ashing



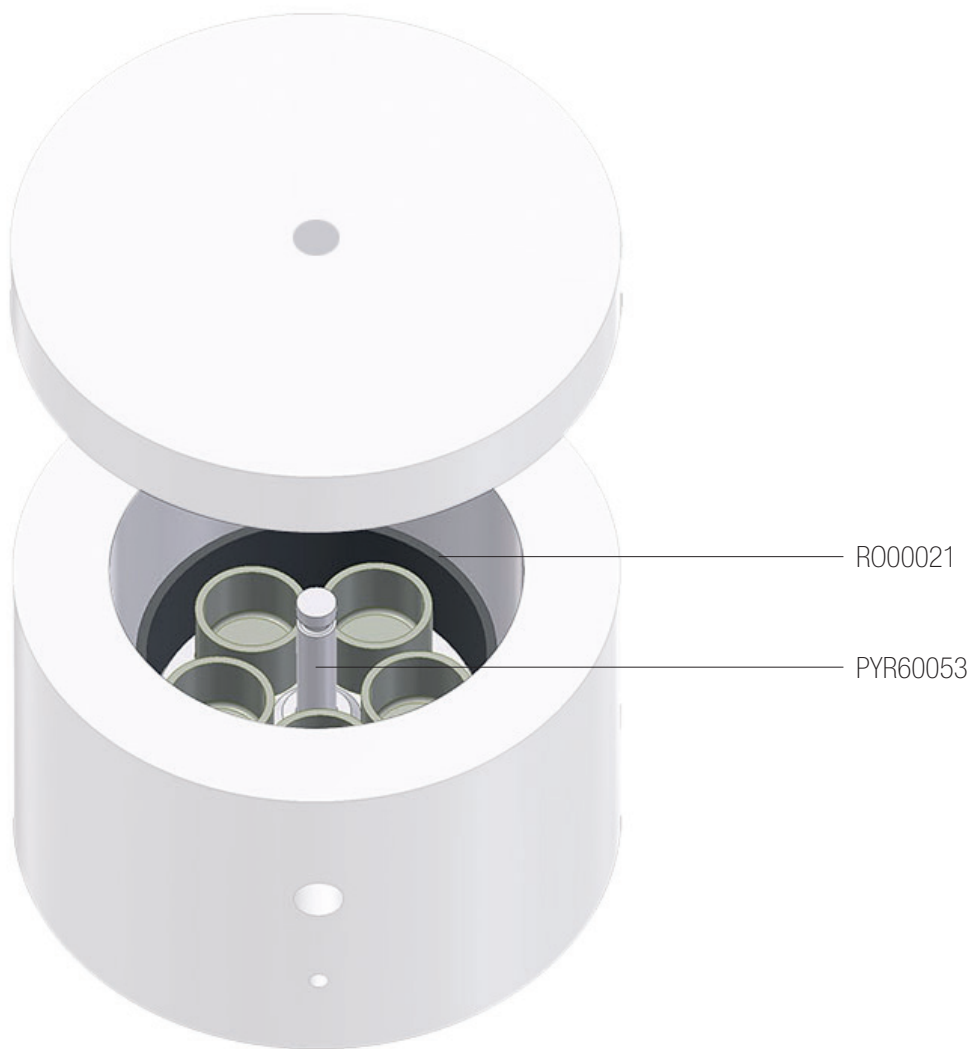
P/N	Description
933988	Quartz tube for acid removal PYRO SA
PYR0029	Quartz coil for acid condensation
PYR1212	PTFE cover for L00087 flask
L00087	Glass flask for acid condensation
L00105	Fixing clip
PYR0074	Support for vessel

# PYR60160 UltraFAST heating muffle complete



P/N	Description
PYR6006A	Muffle furnace
PYR6008	Cover for muffle furnace (diam 220x40mm)
KR16000	Ceramic tube (diam 16/12x45mm)
KE20002B	Insulating disc (diam 150x2mm)
KE00005G	Insulation ceramic fiber paper (455x20x5mm)

# PYRO ACCESSORIES FOR UltraFAST



P/N	Description
PYR60053	5-place crucibles holder
R000021	Heating ring 130 (OD)-122 (ID) x 40 (H) mm up to 1200°C